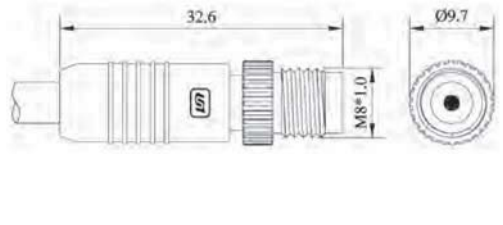


Waterproof Series M8

M8 series(TUV)

Specification			
Locking system	Screw		
Shell protection	IP66		
Rated voltage	600V		
Rated current	8A		
Contact resistance	$\leq 10m\Omega$		
Insulation resistance	$\geq 10M\Omega$		
Figure	Drawing	Contact	Part No.
		1	UT-3970
			UT-3970W1 VDE H05RN-F 0.75mm ²
			UT-3970W2 VDE H05RN-F 1.0mm ²
			UT-3970W3 VDE H05RN-F 1.5mm ²
		1	UT-3971
			UT-3971W1 VDE H05RN-F 0.75mm ²
			UT-3971W2 VDE H05RN-F 1.0mm ²
			UT-3971W3 VDE H05RN-F 1.5mm ²

Waterproof Series M8

M8 series


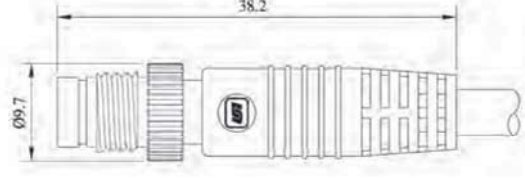

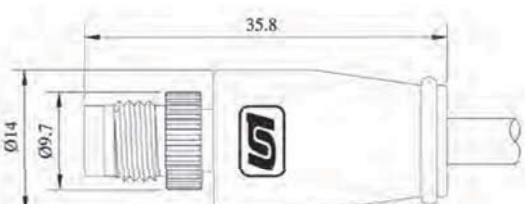

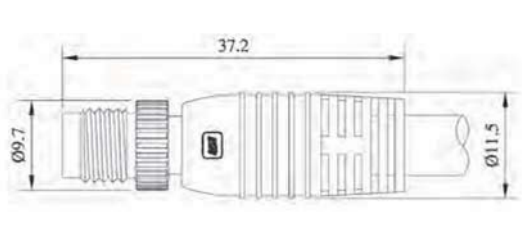

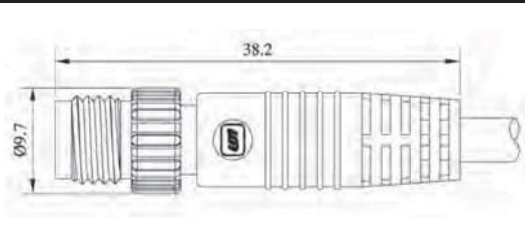

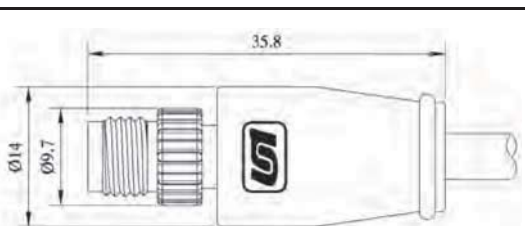

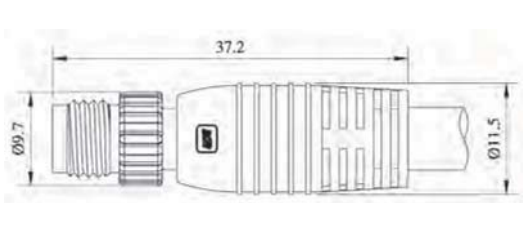

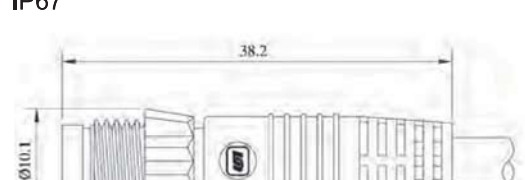
Specification	
Locking system	Screw
Shell protection	IP68(under water 1M/24Hrs)
Contacts	3,4 5,6
Rated voltage	125V 60V
Rated current	5A 2A
Contact resistance	$\leq 10\text{m}\Omega$
Insulation resistance	$\geq 10\text{M}\Omega$
Contact arrangement	
Male insert	
Female insert	

M8 Cable Connector series

Figure	Drawing	Contact	Part No.
		3 4 5 6	UT-P205M3-3P UT-P205M3-4P UT-P205M3-5P UT-P205M3-6P
		3 4 5 6	UT-D241M3-3P UT-D241M3-4P UT-D241M3-5P UT-D241M3-6P
		3 4 5 6	UT-P250M1-3P UT-P250M1-4P UT-P250M1-5P UT-P250M1-6P


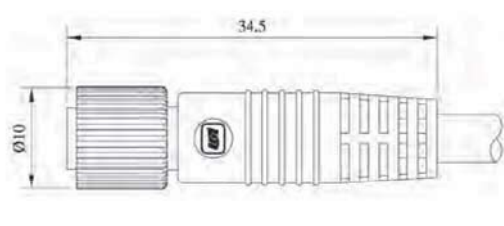

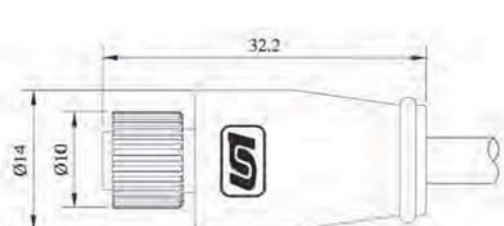

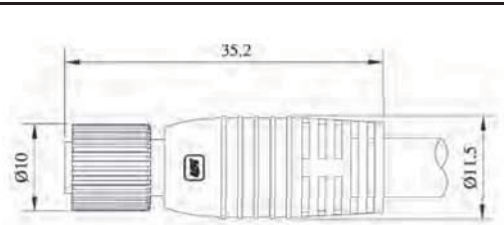

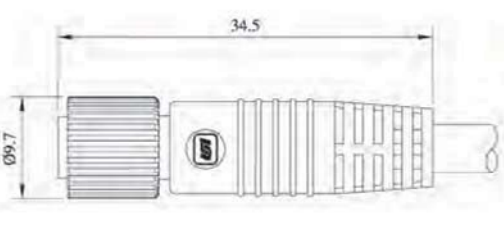

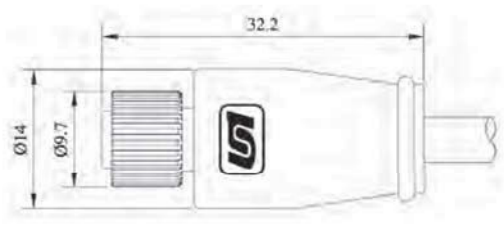

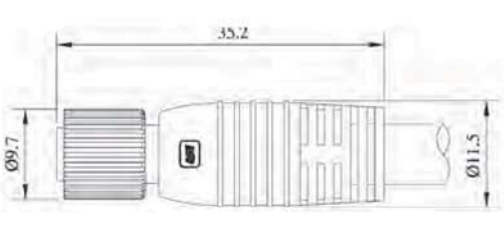

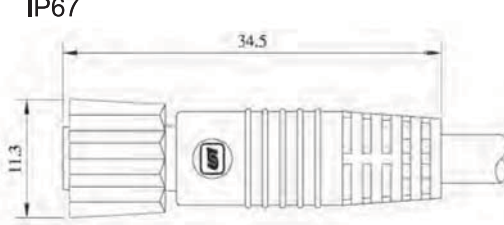
Waterproof Series M8

M8 Cable Connector series

Figure	Drawing	Contact	Part No.
		3 4 5 6	UT-P205M4-3P UT-P205M4-4P UT-P205M4-5P UT-P205M4-6P
		3 4 5 6	UT-D241M4-3P UT-D241M4-4P UT-D241M4-5P UT-D241M4-6P
		3 4 5 6	UT-P250M2-3P UT-P250M2-4P UT-P250M2-5P UT-P250M2-6P
		3 4 5 6	UT-P205M5-3P UT-P205M5-4P UT-P205M5-5P UT-P205M5-6P
		3 4 5 6	UT-D241M5-3P UT-D241M5-4P UT-D241M5-5P UT-D241M5-6P
		3 4 5 6	UT-P250M5-3P UT-P250M5-4P UT-P250M5-5P UT-P250M5-6P
	IP67 	3 4 5 6	UT-P205M2-3P UT-P205M2-4P UT-P205M2-5P UT-P205M2-6P


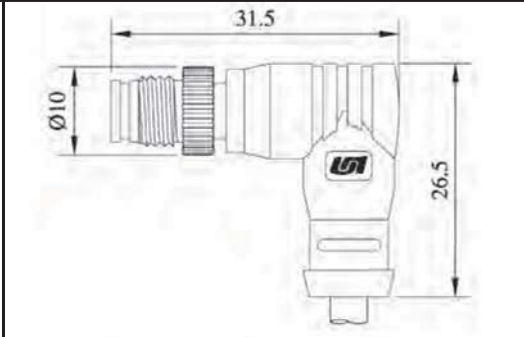

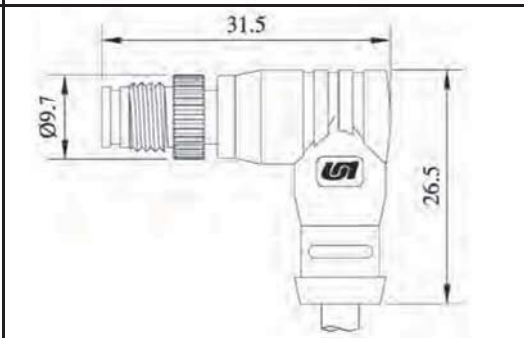

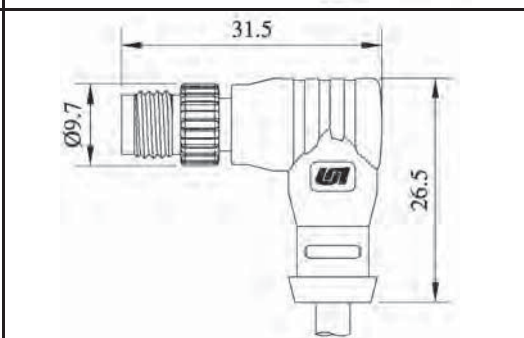

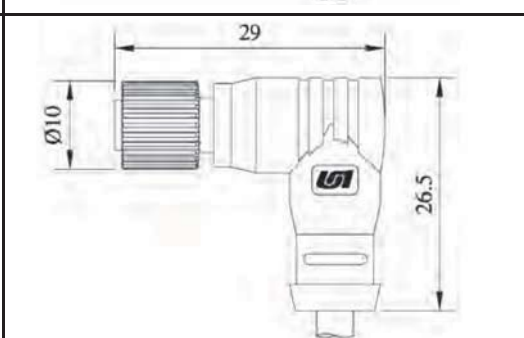

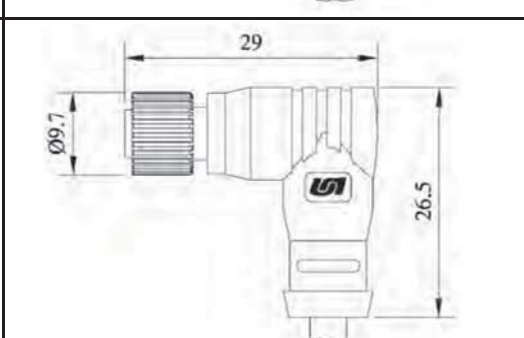
Waterproof Series M8

M8 Cable Connector series

Figure	Drawing	Contact	Part No.
		3 4 5 6	UT-P209F3-3P UT-P209F3-4P UT-P209F3-5P UT-P209F3-6P
		3 4 5 6	UT-D241F3-3P UT-D241F3-4P UT-D241F3-5P UT-D241F3-6P
		3 4 5 6	UT-P251F1-3P UT-P251F1-4P UT-P251F1-5P UT-P251F1-6P
		3 4 5 6	UT-P209F4-3P UT-P209F4-4P UT-P209F4-5P UT-P209F4-6P
		3 4 5 6	UT-D241F4-3P UT-D241F4-4P UT-D241F4-5P UT-D241F4-6P
		3 4 5 6	UT-P251F2-3P UT-P251F2-4P UT-P251F2-5P UT-P251F2-6P
	IP67 	3 4 5 6	UT-P209F2-3P UT-P209F2-4P UT-P209F2-5P UT-P209F2-6P


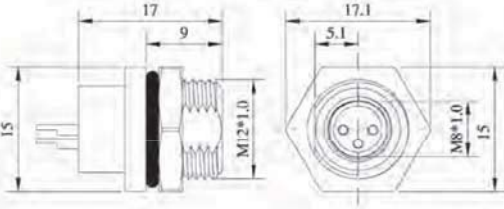

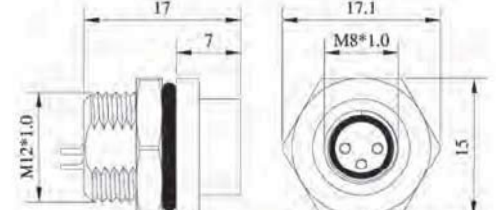

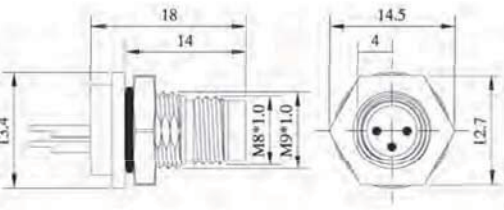

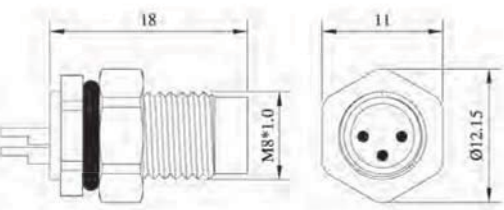

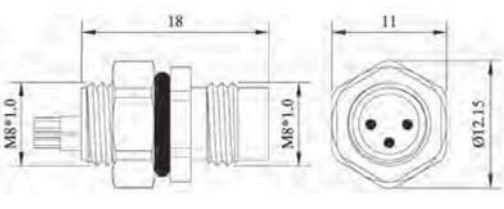
Waterproof Series M8

M8 Cable Connector series

Figure	Drawing	Contact	Part No.
		3 4 5 6	UT-D251M1-3P UT-D251M1-4P UT-D251M1-5P UT-D251M1-6P
		3 4 5 6	UT-D251M2-3P UT-D251M2-4P UT-D251M2-5P UT-D251M2-6P
		3 4 5 6	UT-D251M5-3P UT-D251M5-4P UT-D251M5-5P UT-D251M5-6P
		3 4 5 6	UT-D251F1-3P UT-D251F1-4P UT-D251F1-5P UT-D251F1-6P
		3 4 5 6	UT-D251F2-3P UT-D251F2-4P UT-D251F2-5P UT-D251F2-6P

Waterproof Series M8

M8 Socket series

Figure	Drawing	Contact	Part No.
		3 4 5 6	UT-SP205M-3P-XX UT-SP205M-4P-XX UT-SP205M-5P-XX UT-SP205M-6P-XX
		3 4 5 6	UT-SP205M1-3P-XX UT-SP205M1-4P-XX UT-SP205M1-5P-XX UT-SP205M1-6P-XX
		3 4 5 6	UT-SP209F-3P-XX UT-SP209F-4P-XX UT-SP209F-5P-XX UT-SP209F-6P-XX
		3 4 5 6	UT-SP209F1-3P-XX UT-SP209F1-4P-XX UT-SP209F1-5P-XX UT-SP209F1-6P-XX
		3 4 5 6	UT-SP209F2-3P-XX UT-SP209F2-4P-XX UT-SP209F2-5P-XX UT-SP209F2-6P-XX

Order information:


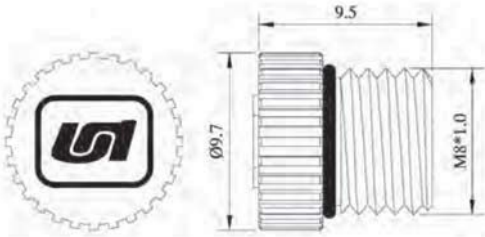

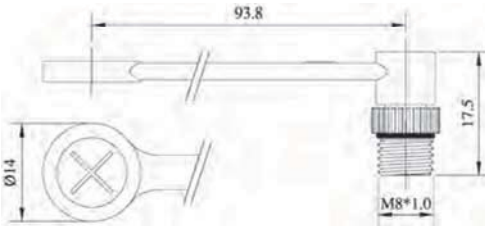

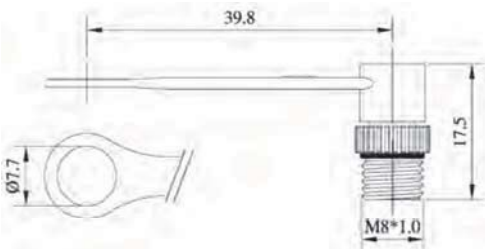

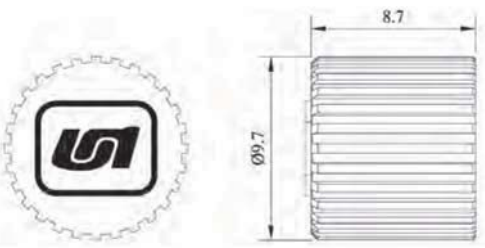

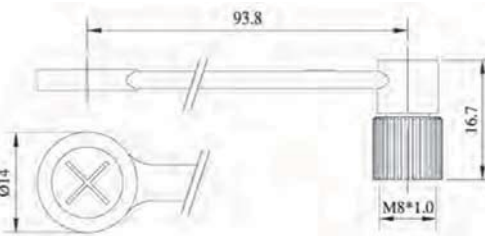
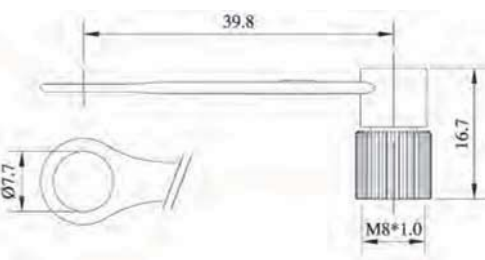
ex. UT-SP205M-XP-XX

→ 01: Solder
02: DIP

→ 3- 3PIN
4- 4PIN
5- 5PIN
6- 6PIN

Waterproof Series M8

M8 Accessory Cap

Figure	Drawing	Contact	Part No.
			UT-205C
			UT-205C-6
			UT-205C-14
			UT-209C
			UT-209C-6
			UT-209C-14


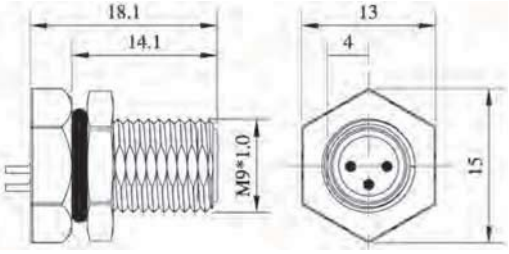

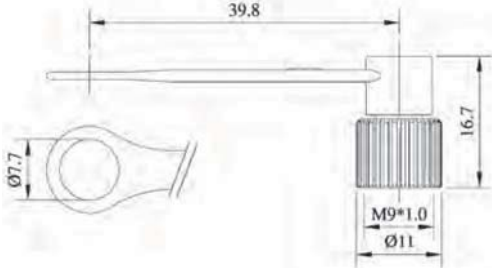
Waterproof Series M9

M9 series

Specification			
Locking system	Screw		
Shell protection	IP68(under water 1M/24Hrs)		
Contacts	3,4	5,6	
Rated voltage	125V	60V	
Rated current	5A	2A	
Contact resistance	$\leq 10m\Omega$		
Insulation resistance	$\geq 10M\Omega$		
Contact arrangement			
Male insert		Female insert	
Figure	Drawing	Contact	Part No.
		3 4 5 6	UT-P251F3-3P UT-P251F3-4P UT-P251F3-5P UT-P251F3-6P
		3 4 5 6	UT-P251F4-3P UT-P251F4-4P UT-P251F4-5P UT-P251F4-6P
		3 4 5 6	UT-D251F3-3P UT-D251F3-4P UT-D251F3-5P UT-D251F3-6P
		3 4 5 6	UT-D251F4-3P UT-D251F4-4P UT-D251F4-5P UT-D251F4-6P


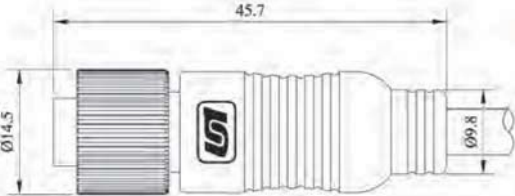

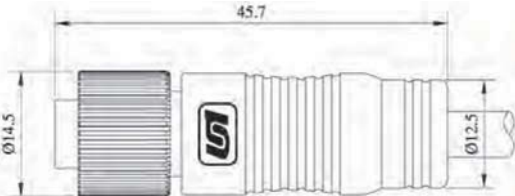

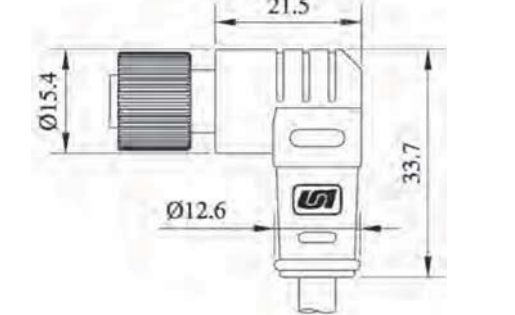

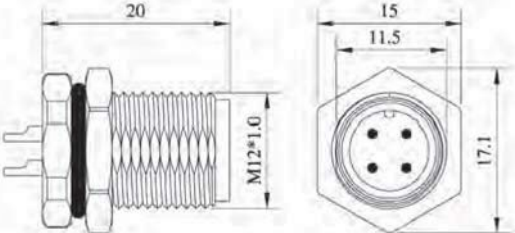
Waterproof Series M9

M9 Cable Connector series

Figure	Drawing	Contact	Part No.
		<p>3 4 5 6</p>	<p>UT-SP251F1-3P UT-SP251F1-4P UT-SP251F1-5P UT-SP251F1-6P</p>
			<p>UT-251C-14</p>

Waterproof Series M12 UL/CE TYPE

M12 series(UL/CE)

Specification			
Locking system	Screw		
Shell protection	IP68(under water 1M/24Hrs)		
Contacts	2,3,4,5		
Rated voltage(UL)	250V		
Rated current(UL)	5A		
Contact resistance	$\leq 10m\Omega$		
Insulation resistance	$\geq 10M\Omega$		
Figure	Drawing	Contact	Part No.
UL, CE 		2 3 4 5	UT-D170F3-UC-2P UT-D170F3-UC-3P UT-D170F3-UC-4P UT-D170F3-UC-5P
UL, CE SHIELDED 		2 3 4 5	UT-D170F3S-UC-2P UT-D170F3S-UC-3P UT-D170F3S-UC-4P UT-D170F3S-UC-5P
UL, CE 		2 3 4 5	UT-D231M-1F-UC-2P UT-D231M-1F-UC-3P UT-D231M-1F-UC-4P UT-D231M-1F-UC-5P
UL, CE 		2 3 4 5	UT-SD170F8-UC-2P UT-SD170F8-UC-3P UT-SD170F8-UC-4P UT-SD170F8-UC-5P

UL-Recognized file No. E359387, CE : EN 61984 : 2009

Waterproof Series M12

M12 series

Specification			
Locking system	Screw		
Shell protection	IP68(under water 1M/24Hrs)		
Contacts	2,3,4,5	6,7,8	12
Rated voltage	250V	125V	60V
Rated current	5A	2A	1A
Contact resistance	$\leq 10m\Omega$		
Insulation resistance	$\geq 10M\Omega$		
Contact arrangement			
Male insert			
Female insert			


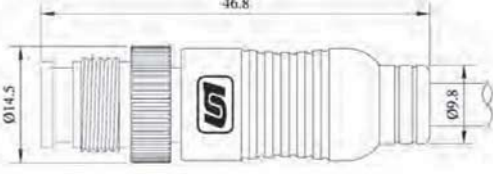

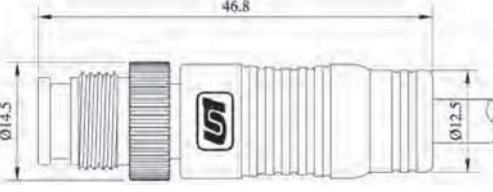

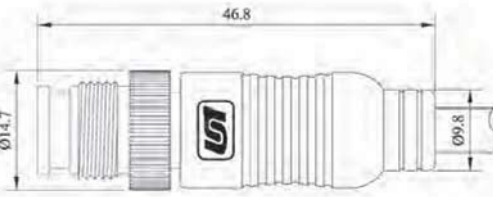

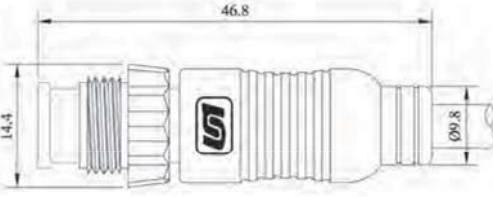

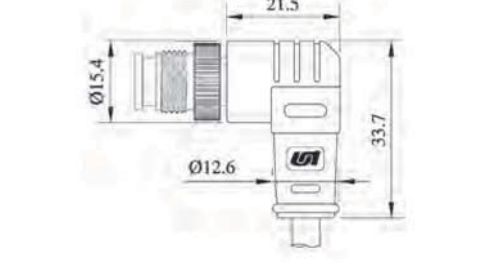

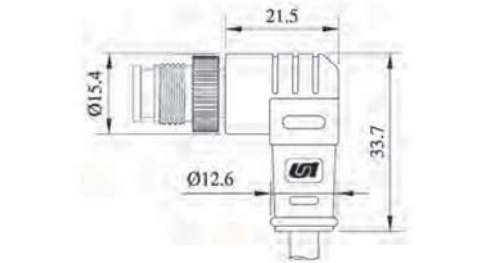
Order information:

ex. UT-SD170F2-XP-XX

- 01: Solder
- 02: DIP
- 2- 2PIN
- 3- 3PIN
- 4- 4PIN
- 5- 5PIN
- 6- 6PIN
- 7- 7PIN
- 8- 8PIN
- 12- 12PIN


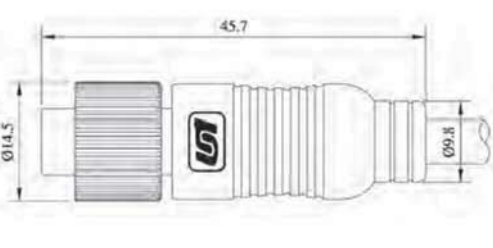

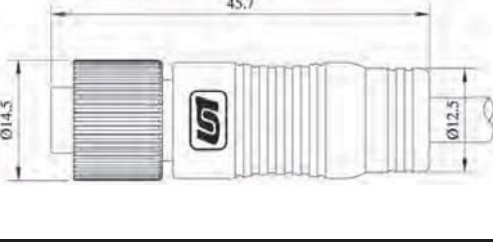

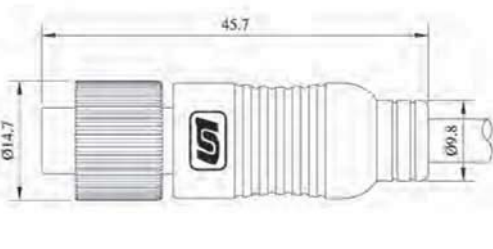

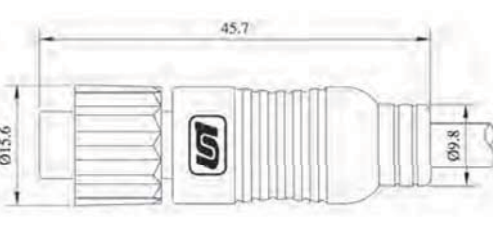

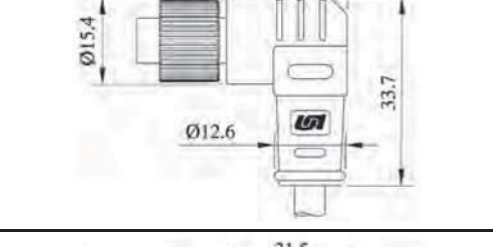


Waterproof Series M12

M12 Cable Connector series

Figure	Drawing	Contact	Part No.
		2 3 4 5 6 7 8 12	UT-D168M3-2P UT-D168M3-3P UT-D168M3-4P UT-D168M3-5P UT-D168M3-6P UT-D168M3-7P UT-D168M3-8P UT-D168M3-12P
SHIELDED 		2 3 4 5 6 7 8 12	UT-D168M3S-2P UT-D168M3S-3P UT-D168M3S-4P UT-D168M3S-5P UT-D168M3S-6P UT-D168M3S-7P UT-D168M3S-8P UT-D168M3S-12P
		2 3 4 5 6 7 8 12	UT-D168M4-2P UT-D168M4-3P UT-D168M4-4P UT-D168M4-5P UT-D168M4-6P UT-D168M4-7P UT-D168M4-8P UT-D168M4-12P
	IP67 	2 3 4 5 6 7 8 12	UT-D168M2-2P UT-D168M2-3P UT-D168M2-4P UT-D168M2-5P UT-D168M2-6P UT-D168M2-7P UT-D168M2-8P UT-D168M2-12P
		2 3 4 5 6 7 8 12	UT-D231M-1M-2P UT-D231M-1M-3P UT-D231M-1M-4P UT-D231M-1M-5P UT-D231M-1M-6P UT-D231M-1M-7P UT-D231M-1M-8P UT-D231M-1M-12P
		2 3 4 5 6 7 8 12	UT-D231P-1M-2P UT-D231P-1M-3P UT-D231P-1M-4P UT-D231P-1M-5P UT-D231P-1M-6P UT-D231P-1M-7P UT-D231P-1M-8P UT-D231P-1M-12P


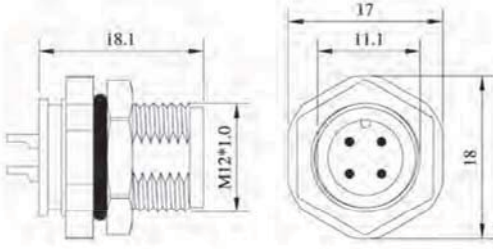

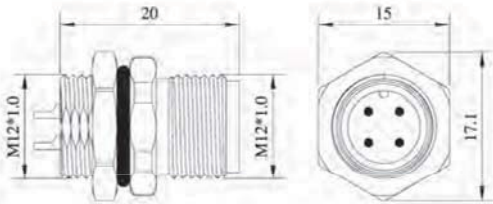

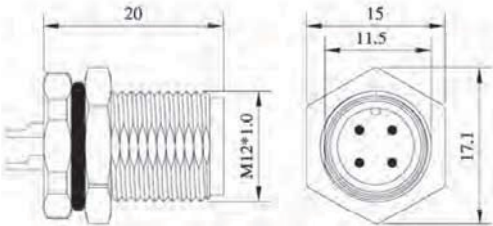

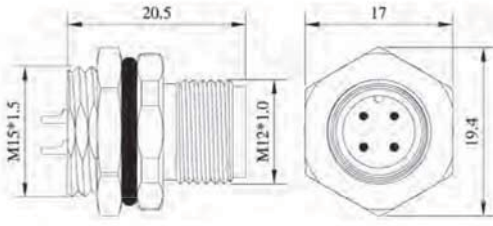

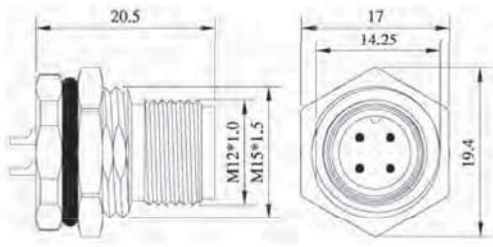

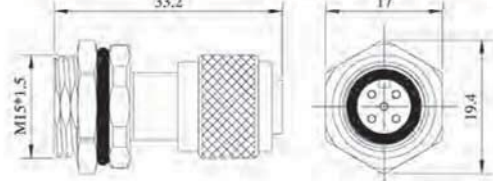
Waterproof Series M12

M12 Cable Connector series

Figure	Drawing	Contact	Part No.
		2 3 4 5 6 7 8 12	UT-D170F3-2P UT-D170F3-3P UT-D170F3-4P UT-D170F3-5P UT-D170F3-6P UT-D170F3-7P UT-D170F3-8P UT-D170F3-12P
SHIELDED 		2 3 4 5 6 7 8 12	UT-D170F3S-2P UT-D170F3S-3P UT-D170F3S-4P UT-D170F3S-5P UT-D170F3S-6P UT-D170F3S-7P UT-D170F3S-8P UT-D170F3S-12P
		2 3 4 5 6 7 8 12	UT-D170F4-2P UT-D170F4-3P UT-D170F4-4P UT-D170F4-5P UT-D170F4-6P UT-D170F4-7P UT-D170F4-8P UT-D170F4-12P
	IP67 	2 3 4 5 6 7 8 12	UT-D170F2-2P UT-D170F2-3P UT-D170F2-4P UT-D170F2-5P UT-D170F2-6P UT-D170F2-7P UT-D170F2-8P UT-D170F2-12P
		2 3 4 5 6 7 8 12	UT-D231M-1F-2P UT-D231M-1F-3P UT-D231M-1F-4P UT-D231M-1F-5P UT-D231M-1F-6P UT-D231M-1F-7P UT-D231M-1F-8P UT-D231M-1F-12P
		2 3 4 5 6 7 8 12	UT-D231P-1F-2P UT-D231P-1F-3P UT-D231P-1F-4P UT-D231P-1F-5P UT-D231P-1F-6P UT-D231P-1F-7P UT-D231P-1F-8P UT-D231P-1F-12P


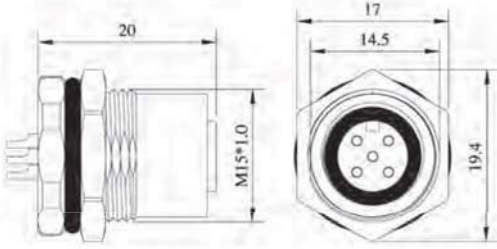

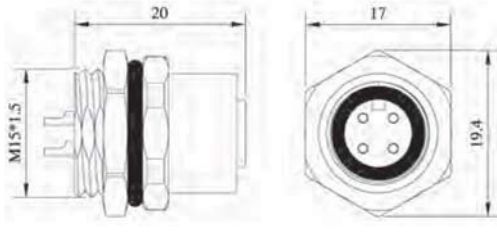

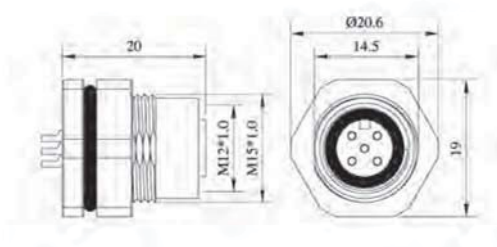

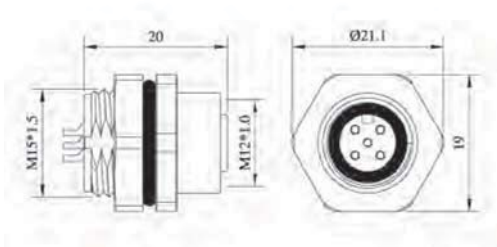
Waterproof Series M12

M12 Socket series

Figure	Drawing	Contact	Part No.
		2 3 4 5 6 7 8 12	UT-SD170F2-2P-XX UT-SD170F2-3P-XX UT-SD170F2-4P-XX UT-SD170F2-5P-XX UT-SD170F2-6P-XX UT-SD170F2-7P-XX UT-SD170F2-8P-XX UT-SD170F2-12P-XX
		2 3 4 5 6 7 8 12	UT-SD170F7-2P-XX UT-SD170F7-3P-XX UT-SD170F7-4P-XX UT-SD170F7-5P-XX UT-SD170F7-6P-XX UT-SD170F7-7P-XX UT-SD170F7-8P-XX UT-SD170F7-12P-XX
		2 3 4 5 6 7 8 12	UT-SD170F8-2P-XX UT-SD170F8-3P-XX UT-SD170F8-4P-XX UT-SD170F8-5P-XX UT-SD170F8-6P-XX UT-SD170F8-7P-XX UT-SD170F8-8P-XX UT-SD170F8-12P-XX
		2 3 4 5 6 7 8 12	UT-SD170F9-2P-XX UT-SD170F9-3P-XX UT-SD170F9-4P-XX UT-SD170F9-5P-XX UT-SD170F9-6P-XX UT-SD170F9-7P-XX UT-SD170F9-8P-XX UT-SD170F9-12P-XX
		2 3 4 5 6 7 8 12	UT-SD170F10-2P-XX UT-SD170F10-3P-XX UT-SD170F10-4P-XX UT-SD170F10-5P-XX UT-SD170F10-6P-XX UT-SD170F10-7P-XX UT-SD170F10-8P-XX UT-SD170F10-12P-XX
		2 3 4 5 6 7 8 12	UT-SD168M5-2P UT-SD168M5-3P UT-SD168M5-4P UT-SD168M5-5P UT-SD168M5-6P UT-SD168M5-7P UT-SD168M5-8P UT-SD168M5-12P


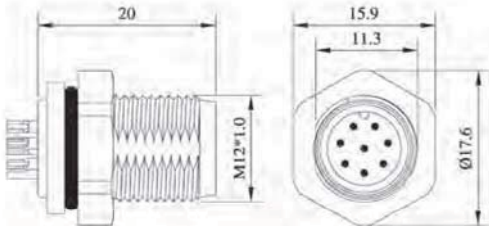

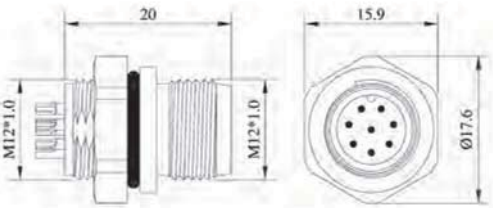

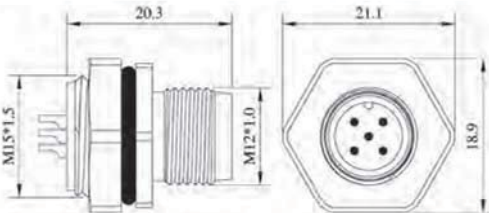

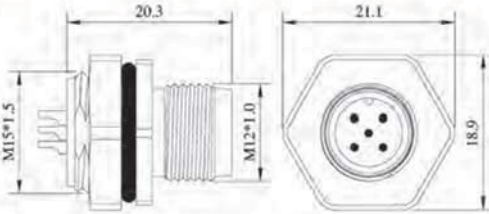
Waterproof Series M12

M12 Socket series

Figure	Drawing	Contact	Part No.
		2 3 4 5 6 7 8 12	UT-SD168M1-2P-XX UT-SD168M1-3P-XX UT-SD168M1-4P-XX UT-SD168M1-5P-XX UT-SD168M1-6P-XX UT-SD168M1-7P-XX UT-SD168M1-8P-XX UT-SD168M1-12P-XX
		2 3 4 5 6 7 8 12	UT-SD168M2-2P-XX UT-SD168M2-3P-XX UT-SD168M2-4P-XX UT-SD168M2-5P-XX UT-SD168M2-6P-XX UT-SD168M2-7P-XX UT-SD168M2-8P-XX UT-SD168M2-12P-XX
		2 3 4 5 6 7 8 12	UT-SD168M3-2P-XX UT-SD168M3-3P-XX UT-SD168M3-4P-XX UT-SD168M3-5P-XX UT-SD168M3-6P-XX UT-SD168M3-7P-XX UT-SD168M3-8P-XX UT-SD168M3-12P-XX
		2 3 4 5 6 7 8 12	UT-SD168M4-2P-XX UT-SD168M4-3P-XX UT-SD168M4-4P-XX UT-SD168M4-5P-XX UT-SD168M4-6P-XX UT-SD168M4-7P-XX UT-SD168M4-8P-XX UT-SD168M4-12P-XX

Waterproof Series M12

M12 Socket series

Figure	Drawing	Contact	Part No.
		2 3 4 5 6 7 8 12	UT-SD170F3-2P-XX UT-SD170F3-3P-XX UT-SD170F3-4P-XX UT-SD170F3-5P-XX UT-SD170F3-6P-XX UT-SD170F3-7P-XX UT-SD170F3-8P-XX UT-SD170F3-12P-XX
		2 3 4 5 6 7 8 12	UT-SD170F4-2P-XX UT-SD170F4-3P-XX UT-SD170F4-4P-XX UT-SD170F4-5P-XX UT-SD170F4-6P-XX UT-SD170F4-7P-XX UT-SD170F4-8P-XX UT-SD170F4-12P-XX
		2 3 4 5 6 7 8 12	UT-SD170F5-2P-XX UT-SD170F5-3P-XX UT-SD170F5-4P-XX UT-SD170F5-5P-XX UT-SD170F5-6P-XX UT-SD170F5-7P-XX UT-SD170F5-8P-XX UT-SD170F5-12P-XX
FLAT AT REAR SIDE 		2 3 4 5 6 7 8 12	UT-SD170F6-2P-XX UT-SD170F6-3P-XX UT-SD170F6-4P-XX UT-SD170F6-5P-XX UT-SD170F6-6P-XX UT-SD170F6-7P-XX UT-SD170F6-8P-XX UT-SD170F6-12P-XX


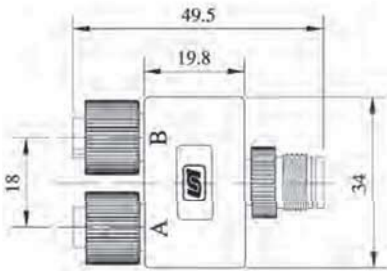

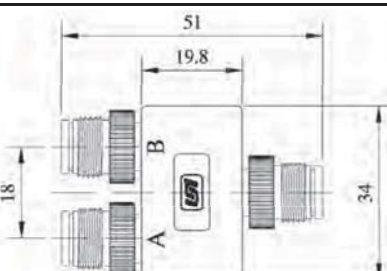

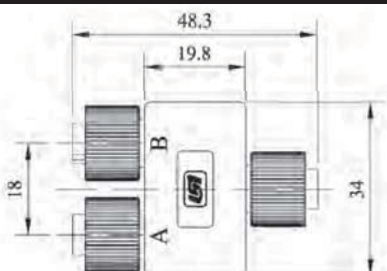

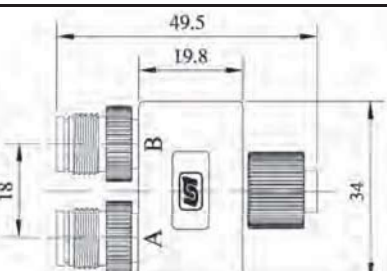



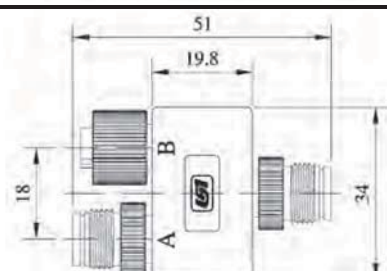
Waterproof Series M12

M12 Accessory Adaptor

Figure	Drawing	Contact	Part No.
		2 3 4 5 6 7 8 12	UT-D230-1-2P UT-D230-1-3P UT-D230-1-4P UT-D230-1-5P UT-D230-1-6P UT-D230-1-7P UT-D230-1-8P UT-D230-1-12P
		2 3 4 5 6 7 8 12	UT-D230-2-2P UT-D230-2-3P UT-D230-2-4P UT-D230-2-5P UT-D230-2-6P UT-D230-2-7P UT-D230-2-8P UT-D230-2-12P
		2 3 4 5 6 7 8 12	UT-D230-3-2P UT-D230-3-3P UT-D230-3-4P UT-D230-3-5P UT-D230-3-6P UT-D230-3-7P UT-D230-3-8P UT-D230-3-12P
		2 3 4 5 6 7 8 12	UT-D230-4-2P UT-D230-4-3P UT-D230-4-4P UT-D230-4-5P UT-D230-4-6P UT-D230-4-7P UT-D230-4-8P UT-D230-4-12P
		2 3 4 5 6 7 8 12	UT-D230-5-2P UT-D230-5-3P UT-D230-5-4P UT-D230-5-5P UT-D230-5-6P UT-D230-5-7P UT-D230-5-8P UT-D230-5-12P
		2 3 4 5 6 7 8 12	UT-D230-6-2P UT-D230-6-3P UT-D230-6-4P UT-D230-6-5P UT-D230-6-6P UT-D230-6-7P UT-D230-6-8P UT-D230-6-12P

Waterproof Series M12

M12 Accessory Adaptor

Figure	Drawing	Contact	Part No.
		2 3 4 5 6 7 8 12	UT-D2301-1-2P UT-D2301-1-3P UT-D2301-1-4P UT-D2301-1-5P UT-D2301-1-6P UT-D2301-1-7P UT-D2301-1-8P UT-D2301-1-12P
		2 3 4 5 6 7 8 12	UT-D2301-2-2P UT-D2301-2-3P UT-D2301-2-4P UT-D2301-2-5P UT-D2301-2-6P UT-D2301-2-7P UT-D2301-2-8P UT-D2301-2-12P
		2 3 4 5 6 7 8 12	UT-D2301-3-2P UT-D2301-3-3P UT-D2301-3-4P UT-D2301-3-5P UT-D2301-3-6P UT-D2301-3-7P UT-D2301-3-8P UT-D2301-3-12P
		2 3 4 5 6 7 8 12	UT-D2301-4-2P UT-D2301-4-3P UT-D2301-4-4P UT-D2301-4-5P UT-D2301-4-6P UT-D2301-4-7P UT-D2301-4-8P UT-D2301-4-12P
		2 3 4 5 6 7 8 12	UT-D2301-5-2P UT-D2301-5-3P UT-D2301-5-4P UT-D2301-5-5P UT-D2301-5-6P UT-D2301-5-7P UT-D2301-5-8P UT-D2301-5-12P
		2 3 4 5 6 7 8 12	UT-D2301-6-2P UT-D2301-6-3P UT-D2301-6-4P UT-D2301-6-5P UT-D2301-6-6P UT-D2301-6-7P UT-D2301-6-8P UT-D2301-6-12P

Waterproof Series M12


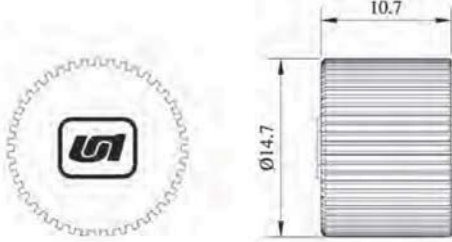

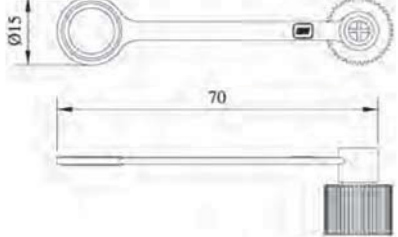

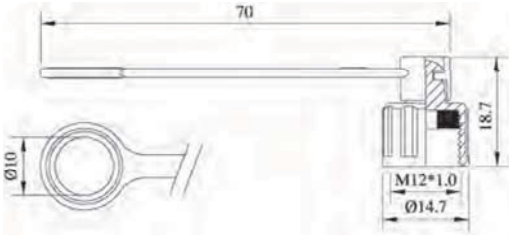

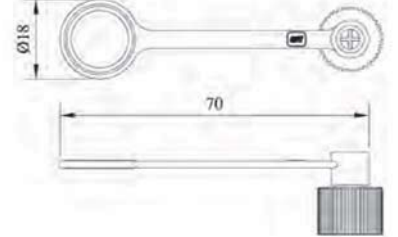

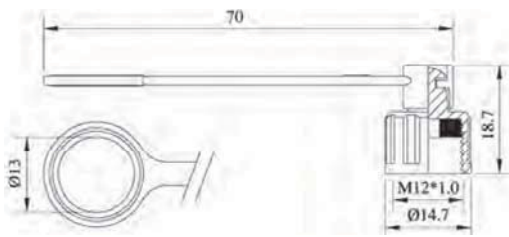

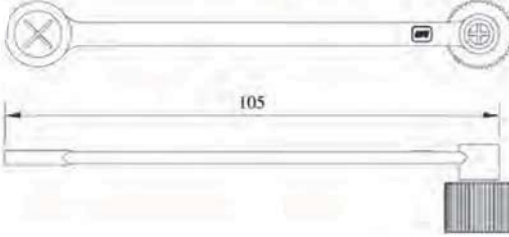

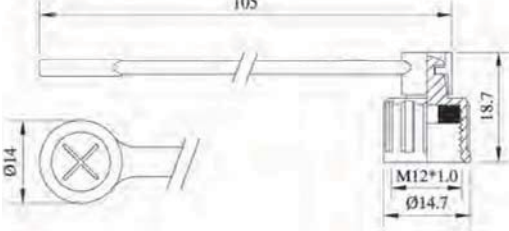
M12 Accessory Cap

Figure	Drawing	Contact	Part No.
			UT-168C
			UT-168C-4
			UT-168C-5
			UT-168C-6




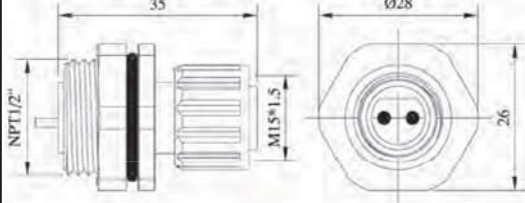

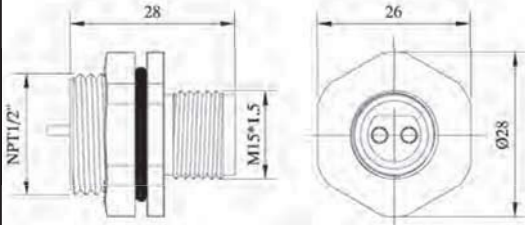

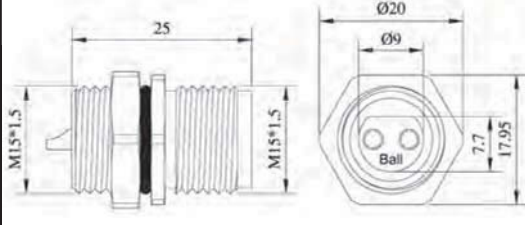
Waterproof Series M12

M12 Accessory Cap


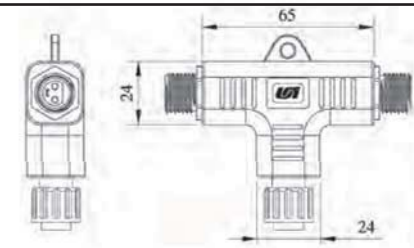

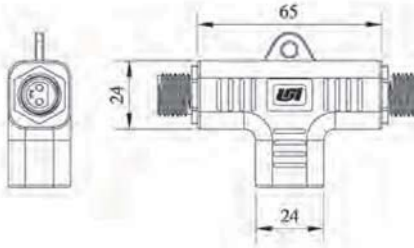

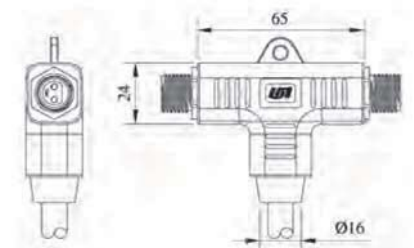
Figure	Drawing	Contact	Part No.
			UT-170C
			UT-170C-4
NO SCREW 			UT-170C-4A
			UT-170C-5
NO SCREW 			UT-170C-5A
			UT-170C-6
NO SCREW 			UT-170C-6A

Waterproof Series M15

M15 Socket series


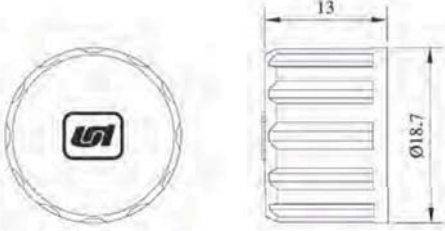

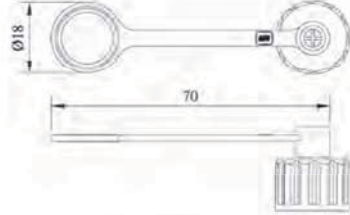

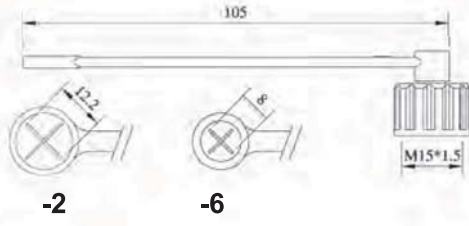

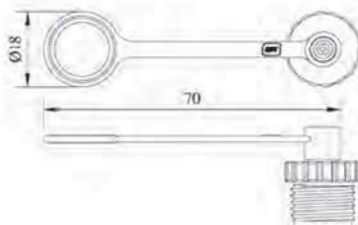

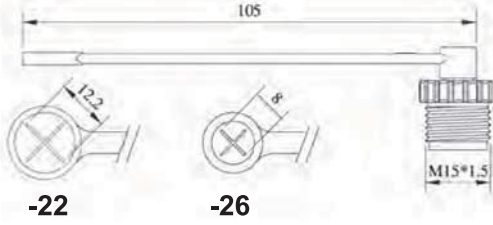
Figure	Drawing	Contact	Part No.
		2	UT-SD224-2P-N
		2	UT-SD2241-2P-N
		2	UT-SD2241-2P

M15 Accessory Adaptor

Figure	Drawing	Contact	Part No.
		2	UT-D248-1
		2	UT-D248-2
		2	UT-D248-3

Waterproof Series M15

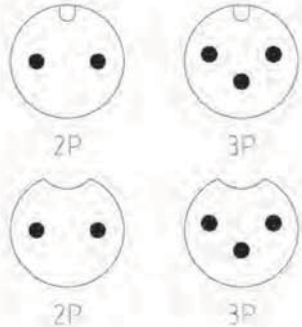
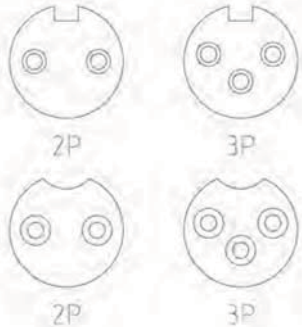
M15 Accessory Cap

Figure	Drawing	Contact	Part No.
			UT-224C
			UT-224C-5
			UT-224C-2 UT-224C-6
			UT-275C-25
			UT-275C-22 UT-275C-26


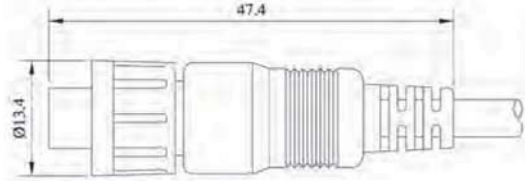

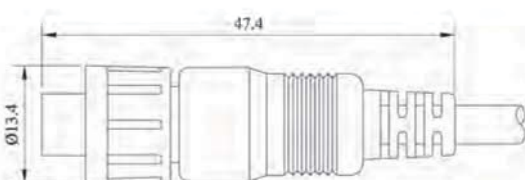


Waterproof Series Type A

Type A series


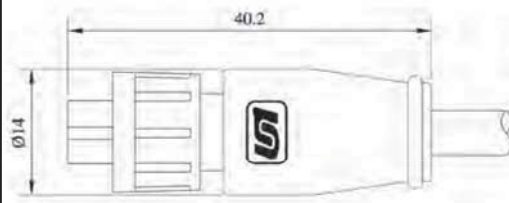

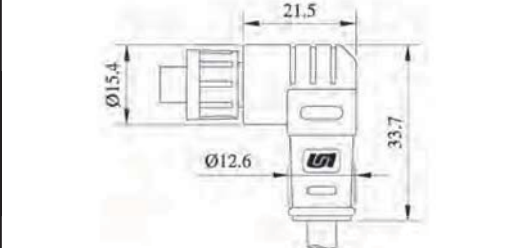

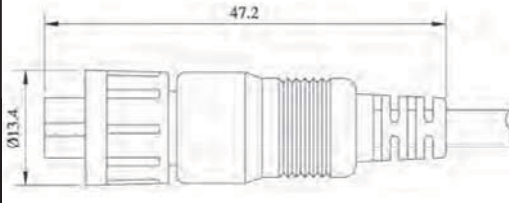

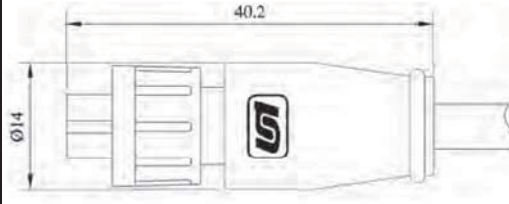

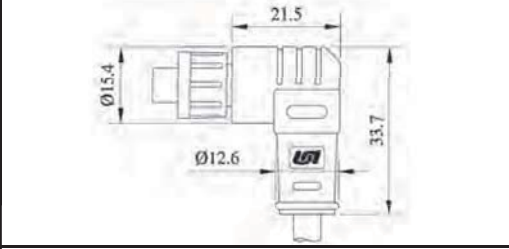

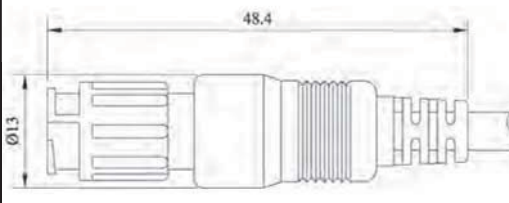
Specification	
Locking system	Twist Lock
Shell protection	IP67
Contacts	2,3
Rated voltage	250V
Rated current	5A
Contact resistance	$\leq 10\text{m}\Omega$
Insulation resistance	$\geq 10\text{M}\Omega$
Contact arrangement	
Male insert	Female insert
 <p>2P</p> <p>3P</p>	 <p>2P</p> <p>3P</p>

Type A Cable Connector series

Figure	Drawing	Contact	Part No.
		2	UT-P207M1-2P
		3	UT-P207M1-3P
		2	UT-P207M2-2P
		3	UT-P207M2-3P


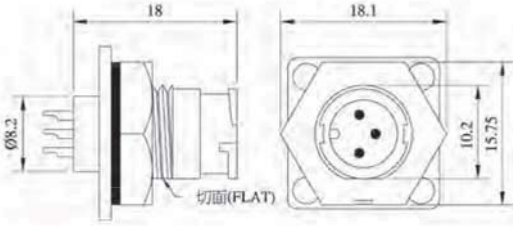

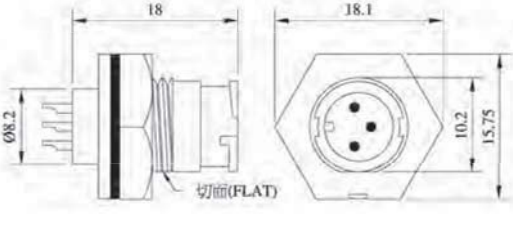

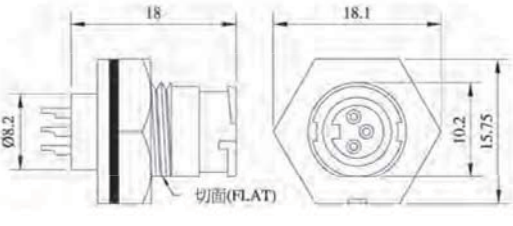

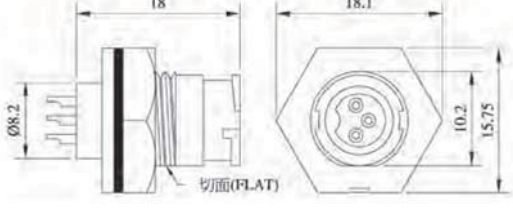
Waterproof Series Type A

Type A Cable Connector series


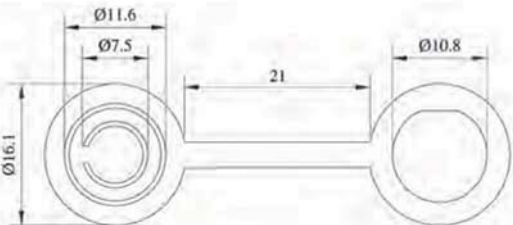
Figure	Drawing	Contact	Part No.
		2 3	UT-D241M1-2P UT-D241M1-3P
		2 3	UT-D231-2M-2P UT-D231-2M-3P
		2 3	UT-P207F1-2P UT-P207F1-3P
		2 3	UT-D241F2-2P UT-D241F2-3P
		2 3	UT-D231-2F-2P UT-D231-2F-3P
		2 3	UT-P207F1-C-2P UT-P207F1-C-3P

Waterproof Series Type A

Type A Socket series

Figure	Drawing	Contact	Part No.
		2 3	UT-SP207F1-2P UT-SP207F1-3P
		2 3	UT-SP207F2-2P UT-SP207F2-3P
		2 3	UT-SP207M1-2P UT-SP207M1-3P
		2 3	UT-SP207M2-2P UT-SP207M2-3P

Type A Accessory Cap

Figure	Drawing	Contact	Part No.
			UT-207C

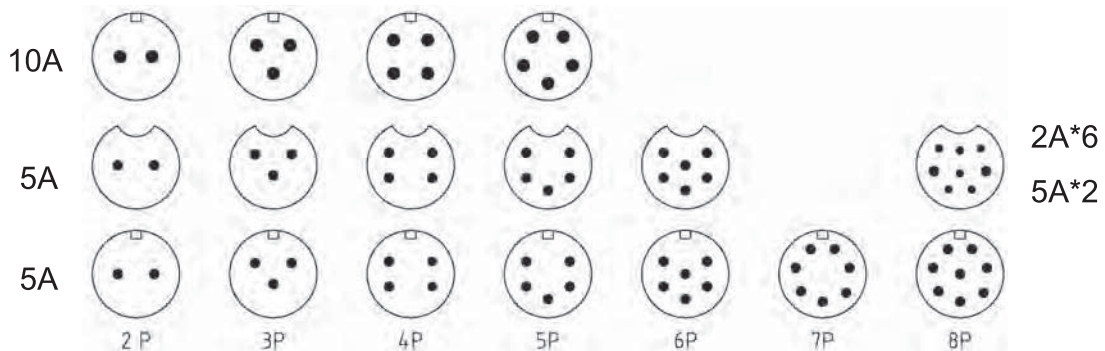
Waterproof Series Type B

Type B series

Specification			
Locking system	Screw / Twist Lock		
Shell protection	IP67		
Contacts	2,3,4/5,6,7,8	8	2,3,4,5
Rated voltage	250V/125V	125V	250V
Rated current	5A	2A/5A	10A
Contact resistance	$\leq 10\text{m}\Omega$		
Insulation resistance	$\geq 10\text{M}\Omega$		

Contact arrangement

Male insert



Female insert

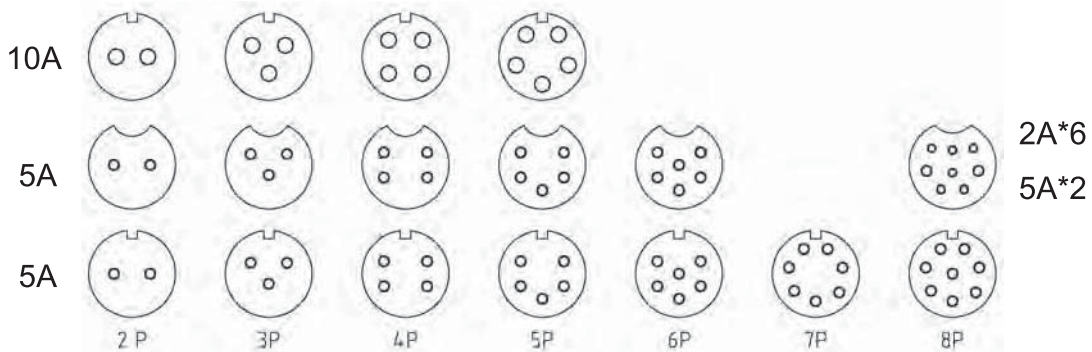

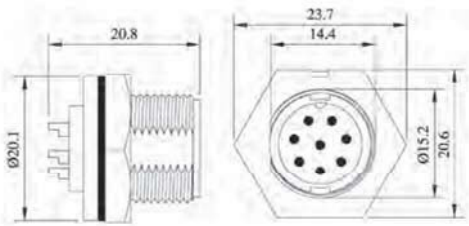

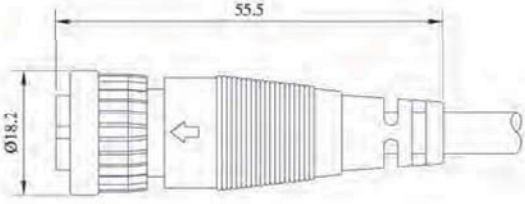

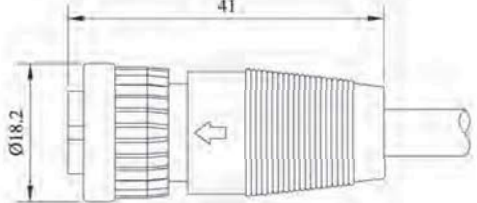

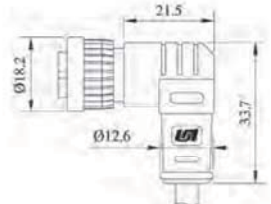

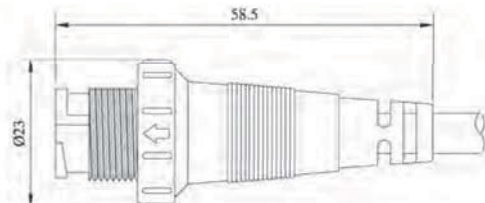

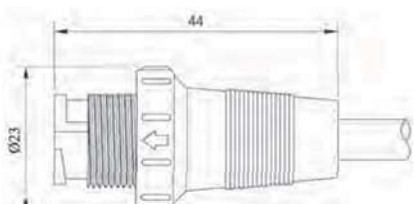

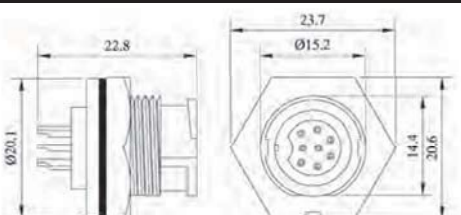

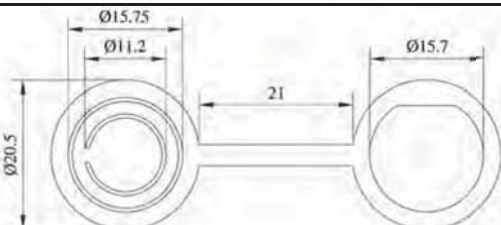


Figure	Drawing	Contact	Part No.
		2 3 4 5 6 7 8	UT-D208M1-T-2P UT-D208M1-T-3P UT-D208M1-T-4P UT-D208M1-T-5P UT-D208M1-T-6P UT-D208M1-T-7P UT-D208M1-T-8P
		2 3 4 5 6 7 8	UT-D210F2-T-2P UT-D210F2-T-3P UT-D210F2-T-4P UT-D210F2-T-5P UT-D210F2-T-6P UT-D210F2-T-7P UT-D210F2-T-8P


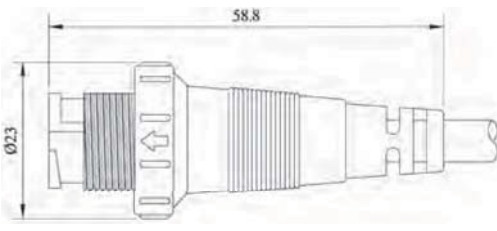

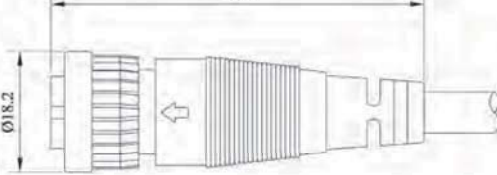

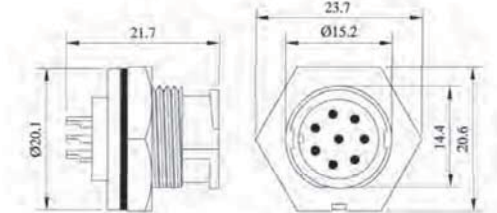

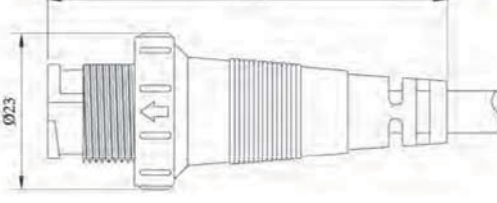

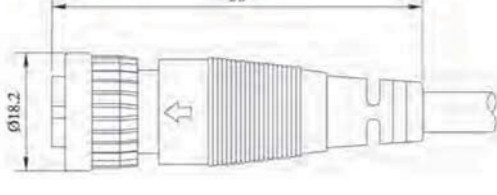

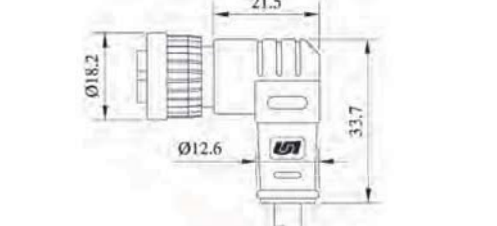

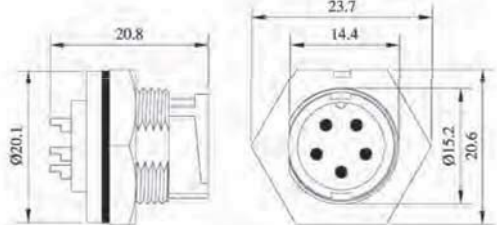
Waterproof Series Type B

Type B Cable Connector series

Figure	Drawing	Contact	Part No.
		2 3 4 5 6 7 8	UT-SD210F-T-2P UT-SD210F-T-3P UT-SD210F-T-4P UT-SD210F-T-5P UT-SD210F-T-6P UT-SD210F-T-7P UT-SD210F-T-8P
Twist Lock 		2 3 4 5 6 8	UT-D210M1-2P UT-D210M1-3P UT-D210M1-4P UT-D210M1-5P UT-D210M1-6P UT-D210M1-8P
Twist Lock 		2 3 4 5 6 8	UT-D210M2-2P UT-D210M2-3P UT-D210M2-4P UT-D210M2-5P UT-D210M2-6P UT D210M2 8P
Twist Lock 		2 3 4 5 6 8	UT-D231-3M-2P UT-D231-3M-3P UT-D231-3M-4P UT-D231-3M-5P UT-D231-3M-6P UT-D231-3M-8P
Twist Lock 		2 3 4 5 6 8	UT-D208F1-2P UT-D208F1-3P UT-D208F1-4P UT-D208F1-5P UT-D208F1-6P UT-D208F1-8P
Twist Lock 		2 3 4 5 6 8	UT-D208F2-2P UT-D208F2-3P UT-D208F2-4P UT-D208F2-5P UT-D208F2-6P UT-D208F2-8P
Twist Lock 		2 3 4 5 6 8	UT-SD210M-2P UT-SD210M-3P UT-SD210M-4P UT-SD210M-5P UT-SD210M-6P UT-SD210M-8P
			UT-210C

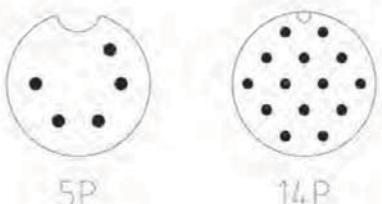
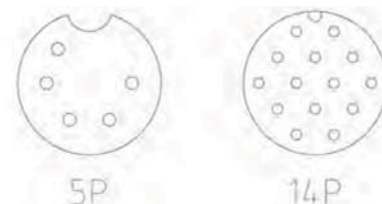
Waterproof Series Type B

Type B Cable Connector series


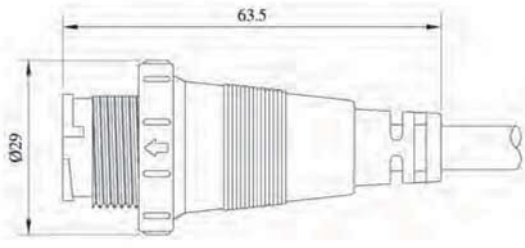

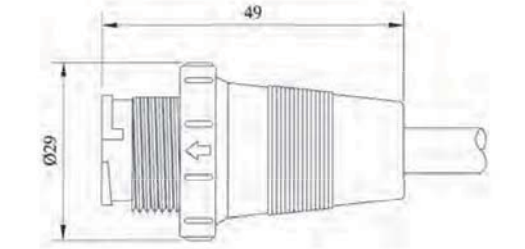

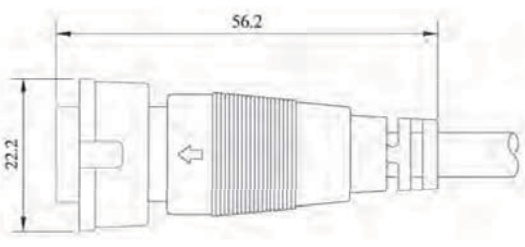

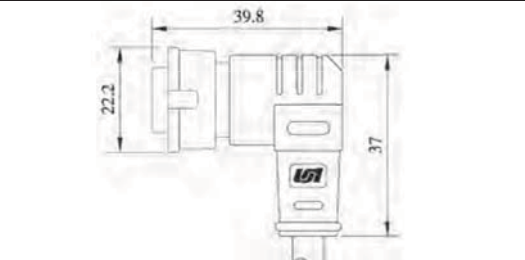
Figure	Drawing	Contact	Part No.
		2 3 4 5 6 7 8	UT-D208M1-2P UT-D208M1-3P UT-D208M1-4P UT-D208M1-5P UT-D208M1-6P UT-D208M1-7P UT-D208M1-8P
		2 3 4 5 6 7 8	UT-D210F1-2P UT-D210F1-3P UT-D210F1-4P UT-D210F1-5P UT-D210F1-6P UT-D210F1-7P UT-D210F1-8P
		2 3 4 5 6 7 8	UT-SD210F-2P UT-SD210F-3P UT-SD210F-4P UT-SD210F-5P UT-SD210F-6P UT-SD210F-7P UT-SD210F-8P
		2 3 4 5	UT-D208M1.6-2P UT-D208M1.6-3P UT-D208M1.6-4P UT-D208M1.6-5P
		2 3 4 5	UT-D210F1.6-2P UT-D210F1.6-3P UT-D210F1.6-4P UT-D210F1.6-5P
		2 3 4 5	UT-D231-3F1.6-2P UT-D231-3F1.6-3P UT-D231-3F1.6-4P UT-D231-3F1.6-5P
		2 3 4 5	UT-SD210F1.6-2P UT-SD210F1.6-3P UT-SD210F1.6-4P UT-SD210F1.6-5P

Waterproof Series Type C

Type C series


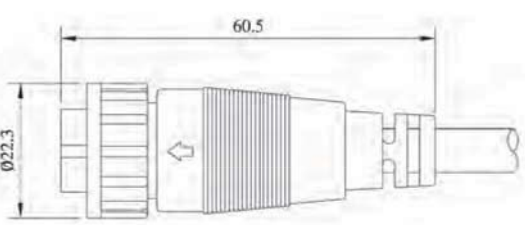

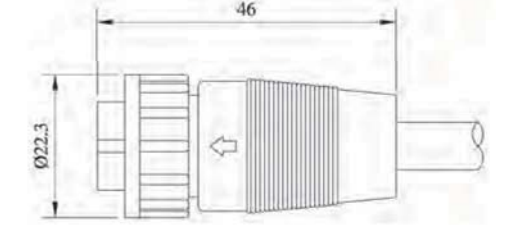
Specification				
Locking system	Twist Lock			
Shell protection	IP67			
Contacts	5	14		
Rated voltage	250V	125V		
Rated current	10A/5A	5A		
Contact resistance	$\leq 10\text{m}\Omega$			
Insulation resistance	$\geq 10\text{M}\Omega$			
Contact arrangement				
Male insert		Female insert		
	5P	14P	5P	14P

Type C Cable Connector series


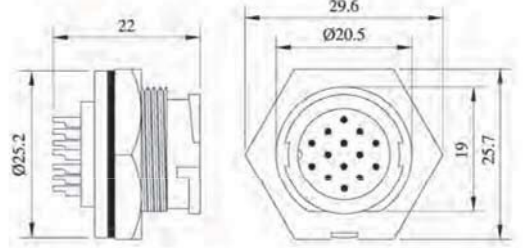

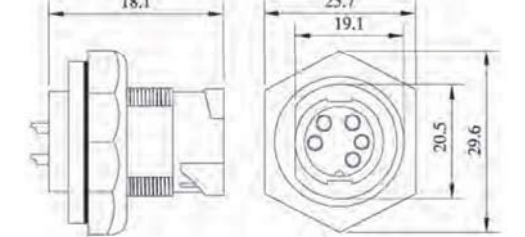
Figure	Drawing	Contact	Part No.
		14	UT-D212M1-14P
		14	UT-D212M2-14P
		5	current rating 5A UT-D214M2-5P
			current rating 10A UT-D214M1.5-5P
		5	current rating 5A UT-D240M2-5P
			current rating 10A UT-D240M1.5-5P

Waterproof Series Type C


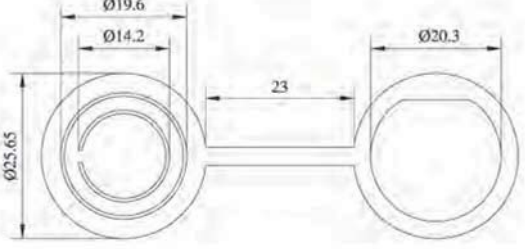
Type C Cable Connector series

Figure	Drawing	Contact	Part No.
		14	UT-D214F1-14P
		14	UT-D214F2-14P

Type C Socket series

Figure	Drawing	Contact	Part No.
		14	UT-SD214M-14P
		5	current rating 5A UT-SD214F-5P
			current rating 10A UT-SD214F1.5-5P

Type C Accessory Cap

Figure	Drawing	Contact	Part No.
			UT-214C

Waterproof Series M15.5

M15.5 series

Specification			
Locking system	Screw / Twist Lock		
Shell protection	IP68(under water 1M/24Hrs)		
Contacts	2,3,4A	4B/5,6,7,8	10,12
Rated voltage	250V	250V/125V	60V
Rated current	10A	5A	2A
Contact resistance	$\leq 10m\Omega$		
Insulation resistance	$\geq 10M\Omega$		
Contact arrangement			
Male insert			
Female insert			


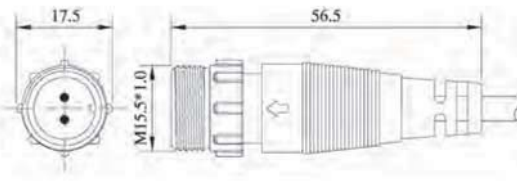

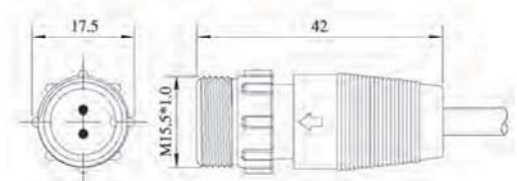

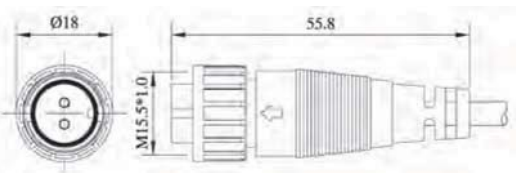

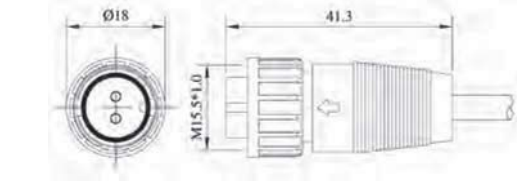

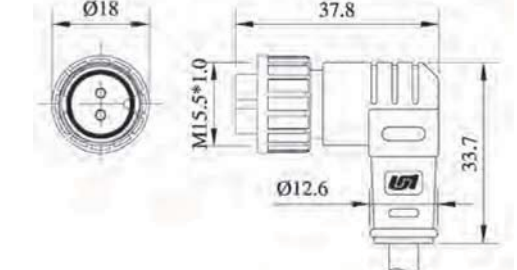

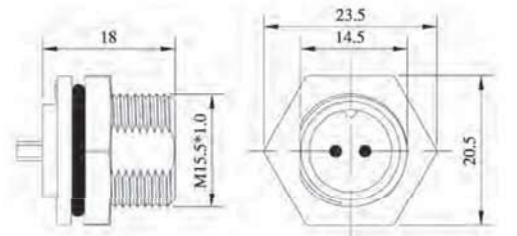

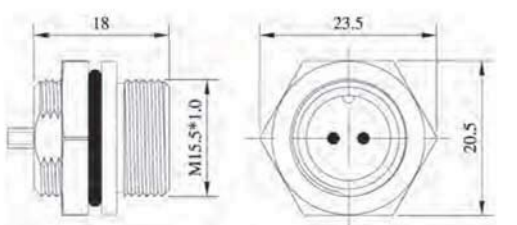
Order information:

ex. UT-D210M4-XP-XX

- 01: Solder
- 02: DIP
- 2- 2PIN
- 3- 3PIN
- 4A,4B- 4PIN
- 5- 5PIN
- 6- 6PIN
- 7- 7PIN
- 8- 8PIN
- 10- 10PIN
- 12- 12PIN


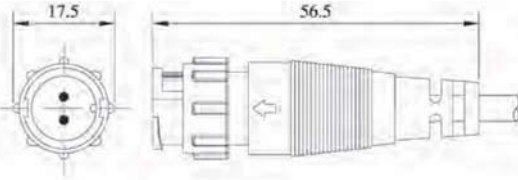

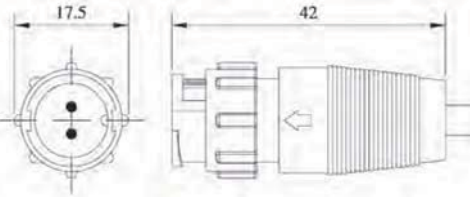

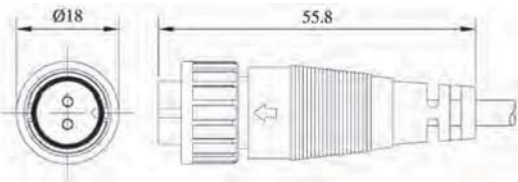

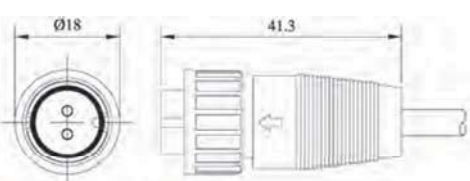



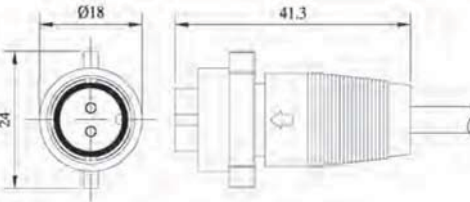
Waterproof Series M15.5

M15.5 Cable Connector series

Figure	Drawing	Contact	Part No.
		2,3,4A 4B,5,6, 7,8 10,12	UT-D210M4-3-XP
		2,3,4A 4B,5,6, 7,8 10,12	UT-D210M3-3-XP
		2,3,4A 4B,5,6, 7,8 10,12	UT-D210F4-1-XP
		2,3,4A 4B,5,6, 7,8 10,12	UT-D210F3-1-XP
		2,3,4A 4B,5,6, 7,8 10,12	UT-D231F4-1-XP
		2,3,4A 4B,5,6, 7,8 10,12	UT-SD210F1-XP-XX
		2,3,4A 4B,5,6, 7,8 10,12	UT-SD210F2-XP-XX


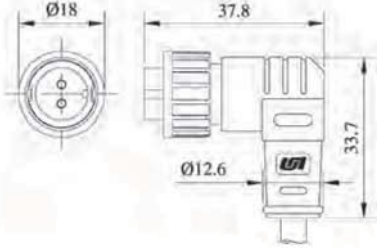

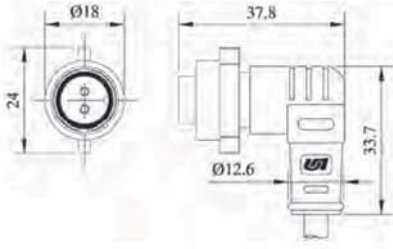

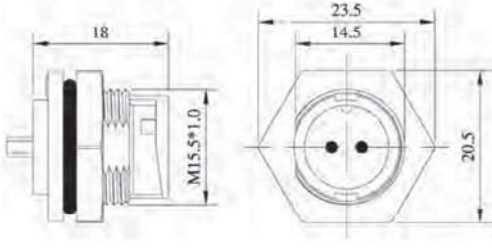

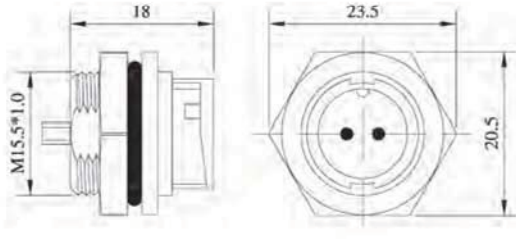

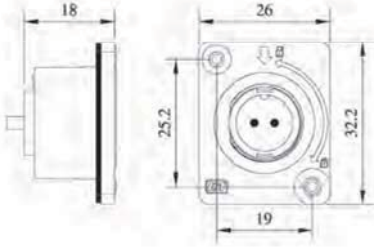
Waterproof Series M15.5

M15.5 Cable Connector series

Figure	Drawing	Contact	Part No.
<p>Twist Lock</p> 		<p>2,3,4A 4B,5,6, 7,8 10,12</p>	<p>UT-D210M4-4-XP</p>
<p>Twist Lock</p> 		<p>2,3,4A 4B,5,6, 7,8 10,12</p>	<p>UT-D210M3-4-XP</p>
<p>Twist Lock</p> 		<p>2,3,4A 4B,5,6, 7,8 10,12</p>	<p>UT-D210F4-2-XP</p>
<p>Twist Lock</p> 		<p>2,3,4A 4B,5,6, 7,8 10,12</p>	<p>UT-D210F3-2-XP</p>
<p>Twist Lock</p> 		<p>2,3,4A 4B,5,6, 7,8 10,12</p>	<p>UT-D210F4-2S-XP</p>
<p>Twist Lock</p> 		<p>2,3,4A 4B,5,6, 7,8 10,12</p>	<p>UT-D210F3-2S-XP</p>


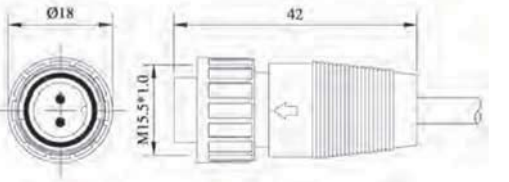

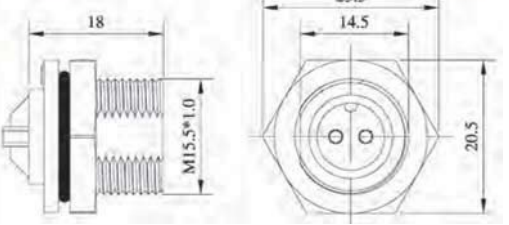

Waterproof Series M15.5

M15.5 Cable Connector series

Figure	Drawing	Contact	Part No.
<p>Twist Lock</p> 		<p>2,3,4A 4B,5,6, 7,8 10,12</p>	<p>UT-D231F4-2-XP</p>
<p>Twist Lock</p> 		<p>2,3,4A 4B,5,6, 7,8 10,12</p>	<p>UT-D231F4-2S-XP</p>
<p>Twist Lock</p> 		<p>2,3,4A 4B,5,6, 7,8 10,12</p>	<p>UT-SD210F3-XP-XX</p>
<p>Twist Lock</p> 		<p>2,3,4A 4B,5,6, 7,8 10,12</p>	<p>UT-SD210F4-XP-XX</p>
<p>Twist Lock</p> 		<p>2,3,4A 4B,5,6, 7,8 10,12</p>	<p>UT-SD210F3S-XP</p>


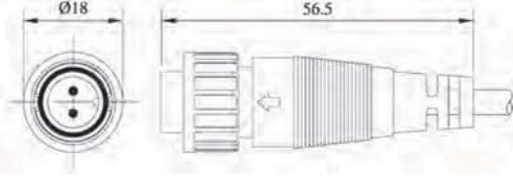

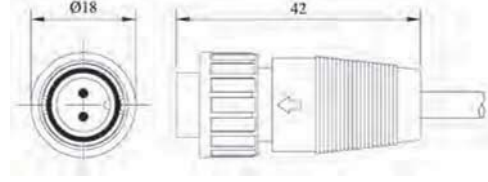

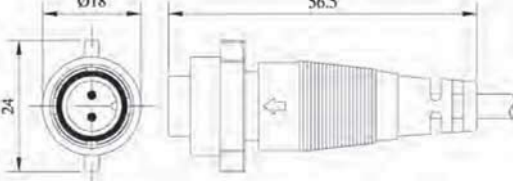



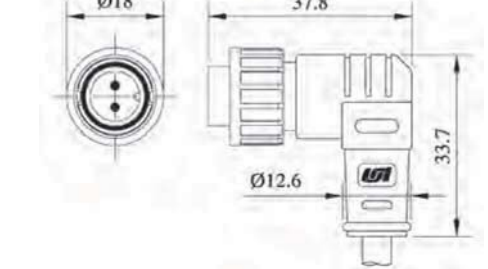

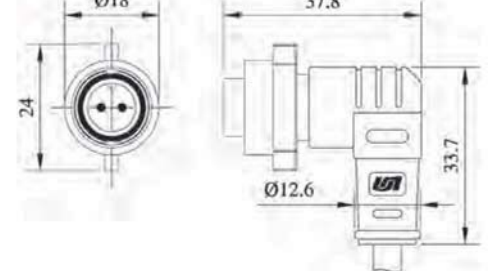
Waterproof Series M15.5

M15.5 Cable Connector series

Figure	Drawing	Contact	Part No.
		2,3	UT-D210M4-1-XP
		2,3	UT-D210M3-1-XP
		2,3	UT-D231M4-1-XP
		2,3	UT-SD210M1-XP
		2,3	UT-SD210M2-XP


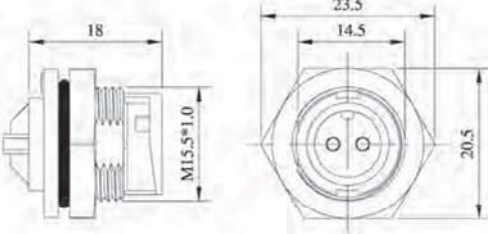

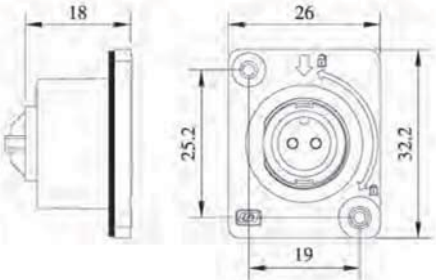
Waterproof Series M15.5

M15.5 Cable Connector series

Figure	Drawing	Contact	Part No.
<p>Twist Lock</p> 		2,3	UT-D210M4-2-XP
<p>Twist Lock</p> 		2,3	UT-D210M3-2-XP
<p>Twist Lock</p> 		2,3	UT-D210M4-2S-XP
<p>Twist Lock</p> 		2,3	UT-D210M3-2S-XP
<p>Twist Lock</p> 		2,3	UT-D231M4-2-XP
<p>Twist Lock</p> 		2,3	UT-D231M4-2S-XP


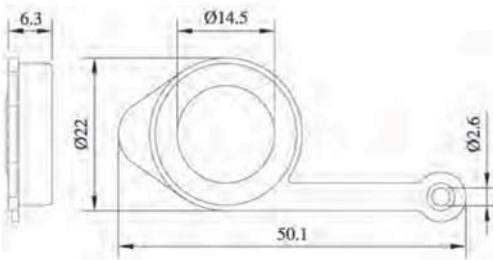

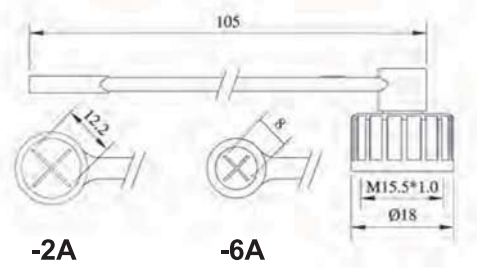

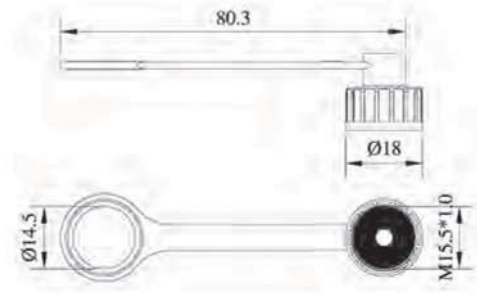

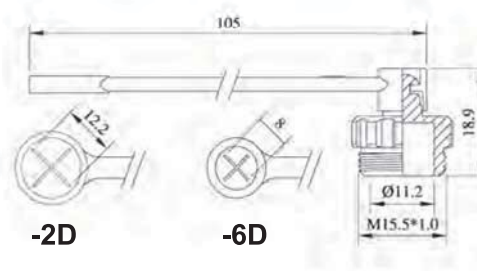

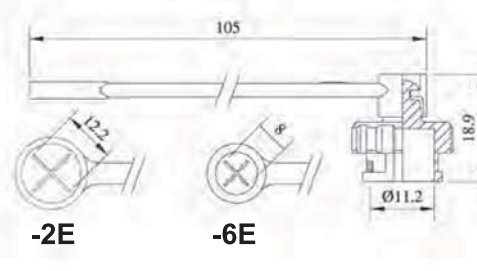
Waterproof Series M15.5

M15.5 Cable Connector series

Figure	Drawing	Contact	Part No.
<p>Twist Lock</p> 		<p>2,3</p>	<p>UT-SD210M3-XP</p>
<p>Twist Lock</p> 		<p>2,3</p>	<p>UT-SD210M3S-XP</p>


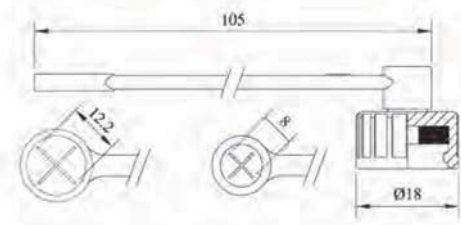

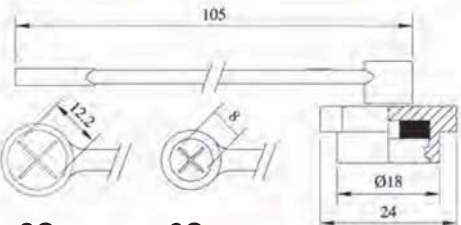

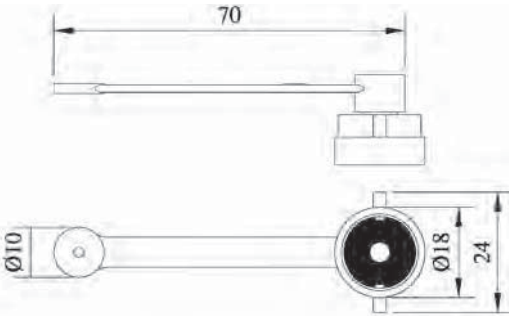

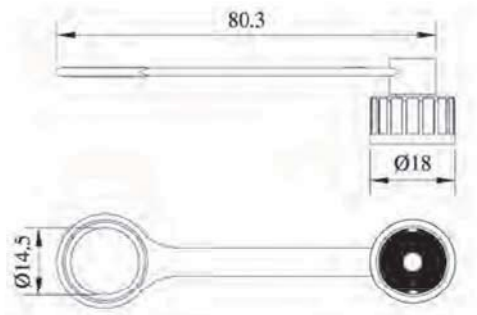

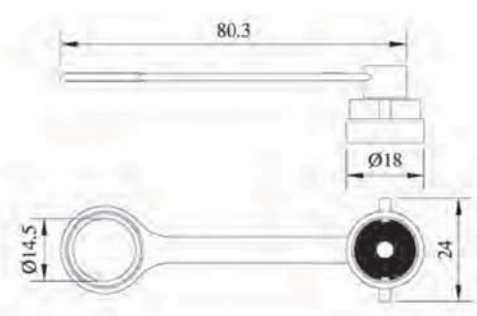
Waterproof Series M15.5

M15.5 Accessory Cap

Figure	Drawing	Contact	Part No.
			<p>UT-210C-1</p>
	 <p>-2A -6A</p>		<p>UT-210C-2A UT-210C-6A</p>
			<p>UT-210C-11A</p>
<p>NO SCREW</p> 	 <p>-2D -6D</p>		<p>UT-210C-2D UT-210C-6D</p>
<p>Twist Lock. NO SCREW</p> 	 <p>-2E -6E</p>		<p>UT-210C-2E UT-210C-6E</p>

Waterproof Series M15.5

M15.5 Accessory Cap

Figure	Drawing	Contact	Part No.
<p>Twist Lock</p> 	 <p>-2B -6B</p>		<p>UT-210C-2B UT-210C-6B</p>
<p>Twist Lock</p> 	 <p>-2C -6C</p>		<p>UT-210C-2C UT-210C-6C</p>
<p>Twist Lock</p> 			<p>UT-210C-8C</p>
<p>Twist Lock</p> 			<p>UT-210C-11B</p>
<p>Twist Lock</p> 			<p>UT-210C-11C</p>


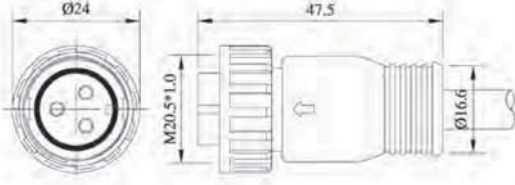

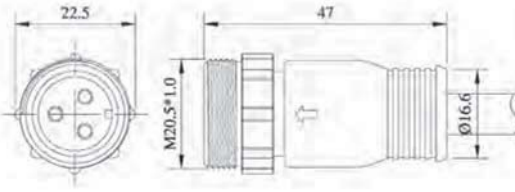

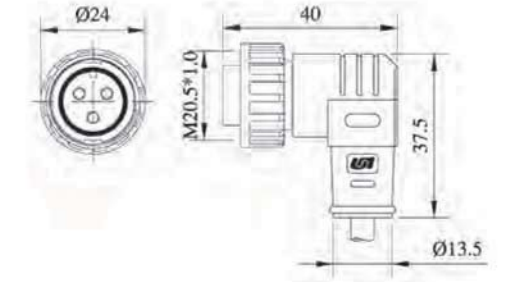

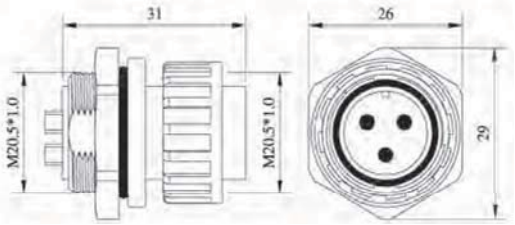

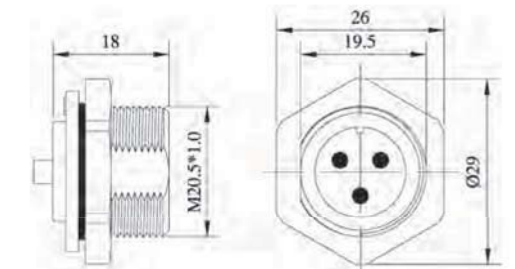

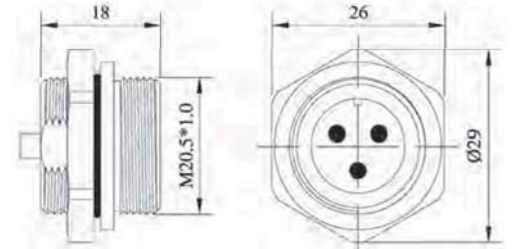
Waterproof Series M20.5

M20.5 series

Specification					
Locking system	Screw / Twist Lock				
Shell protection	IP68(under water 1M/24Hrs)				
Contacts	2,3	4,5/6	7,8	2+8/3+6	19
Rated voltage	360V	250V/125V	125V	60V	60V
Rated current	25A	15A	10A	25A/5A	5A
Contact resistance	$\leq 5m\Omega$				
Insulation resistance	$\geq 10M\Omega$				
Contact arrangement					
Male insert					
Female insert					
Figure	Drawing		Contact	Part No.	
			2~10 19	UT-D264M1-XP	
			2~10 19	UT-D264M2-XP	
			2~10 19	UT-D240M-1-XP	



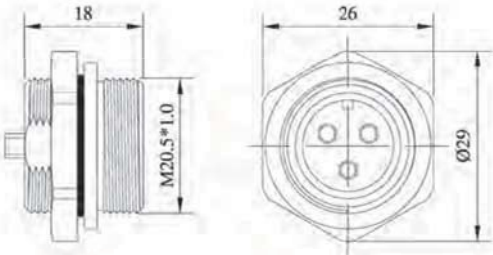

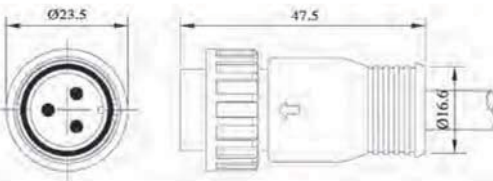
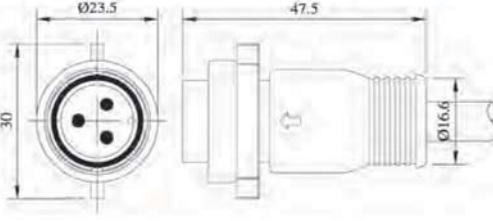

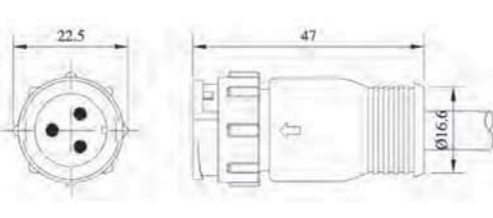
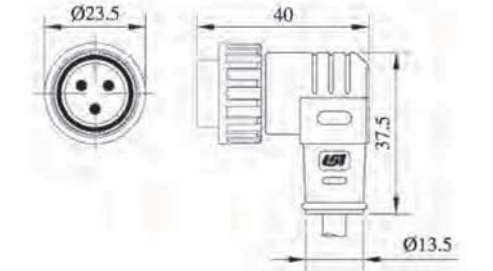
Waterproof Series M20.5

M20.5 Cable Connector series

Figure	Drawing	Contact	Part No.
		2~10 19	UT-D264F1-XP
		2~10 19	UT-D264F2-XP
		2~10 19	UT-D240F-1-XP
		2 3 4 5 6 2+8	UT-SD264F5-XP
		2~10 19	UT-SD264F1-XP
		2~10 19	UT-SD264F2-XP


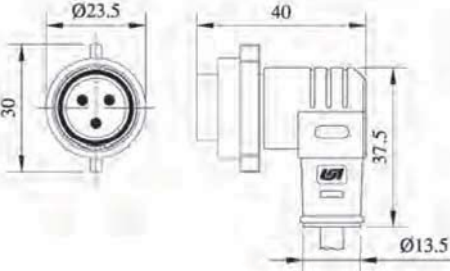

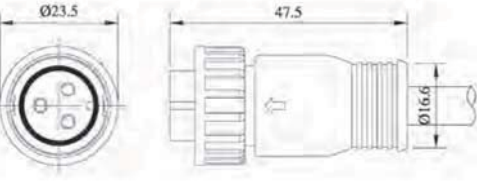

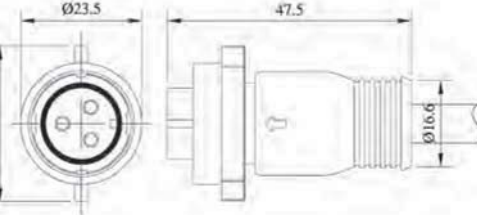

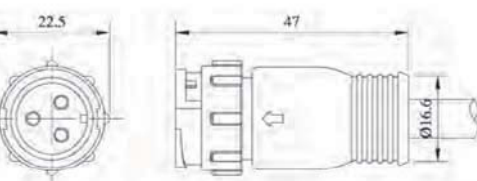

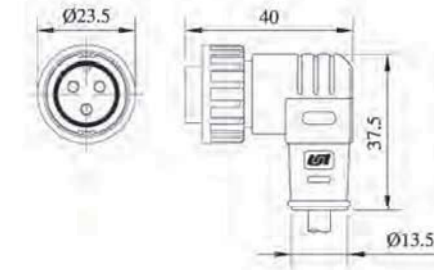

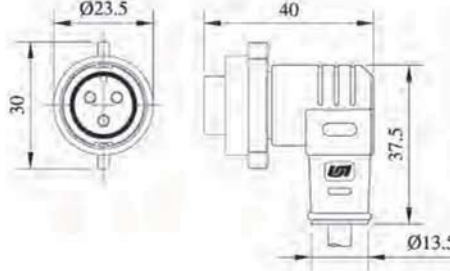
Waterproof Series M20.5

M20.5 Cable Connector series

Figure	Drawing	Contact	Part No.
		2~10 19	UT-SD264M1-XP
		2~10 19	UT-SD264M2-XP
Twist Lock 		2~10 19	UT-D264M3-XP
Twist Lock 		2~10 19	UT-D264M3S-XP
Twist Lock 		2~10 19	UT-D264M4-XP
Twist Lock 		2~10 19	UT-D240M-2-XP



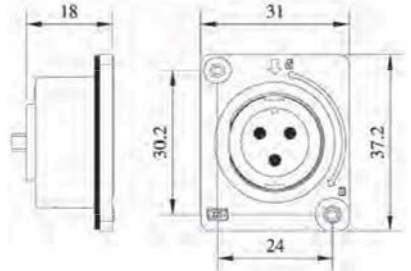

Waterproof Series M20.5

M20.5 Cable Connector series

Figure	Drawing	Contact	Part No.
		<p>2~10 19</p>	UT-D240M-2S-XP
		<p>2~10 19</p>	UT-D264F3-XP
		<p>2~10 19</p>	UT-D264F3S-XP
		<p>2~10 19</p>	UT-D264F4-XP
		<p>2~10 19</p>	UT-D240F-2-XP
		<p>2~10 19</p>	UT-D240F-2S-XP


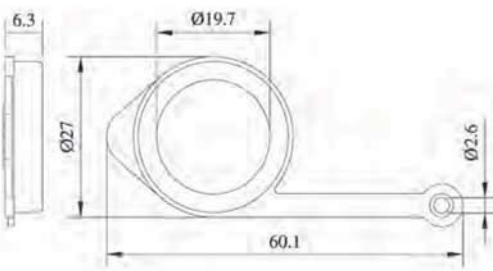

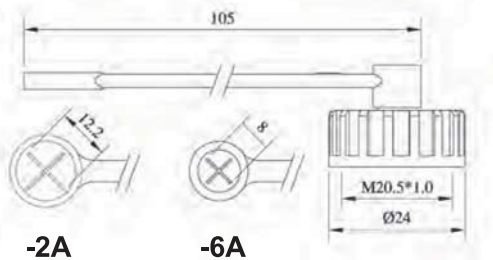

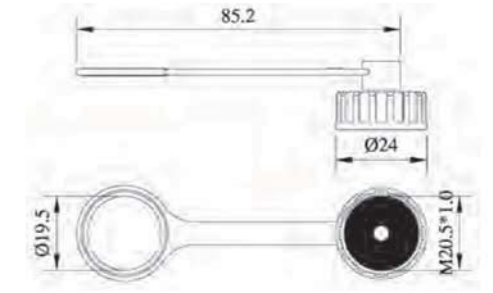

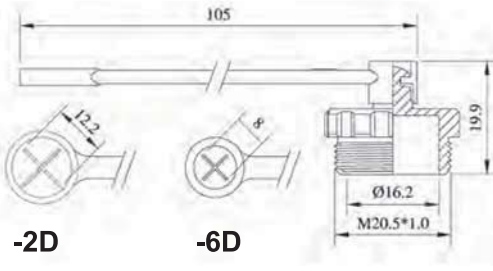

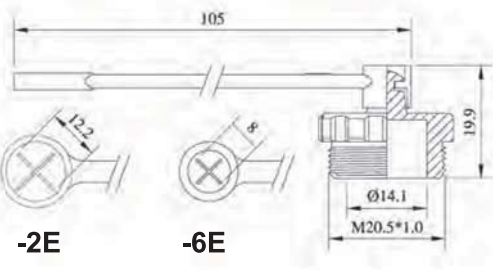
Waterproof Series M20.5

M20.5 Cable Connector series

Figure	Drawing	Contact	Part No.
Twist Lock 		2~10 19	UT-SD264F3-XP
Twist Lock 		2~10 19	UT-SD264F4-XP
Twist Lock 		2~10 19	UT-SD264F3S-XP
Twist Lock 		2~10 19	UT-SD264M3-XP
Twist Lock 		2~10 19	UT-SD264M4-XP
Twist Lock 		2~10 19	UT-SD264M3S-XP


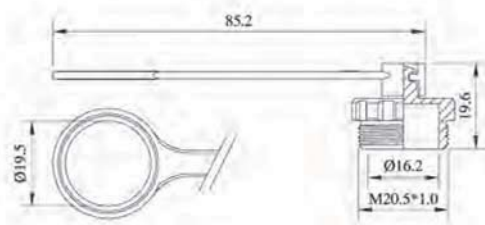

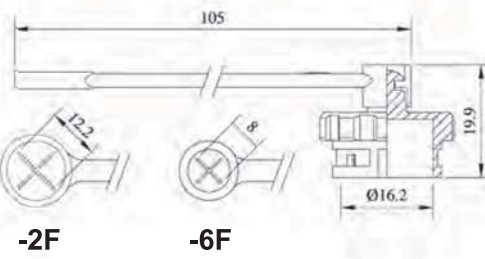

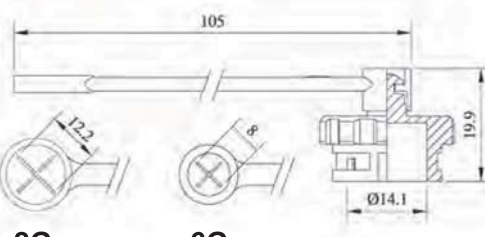

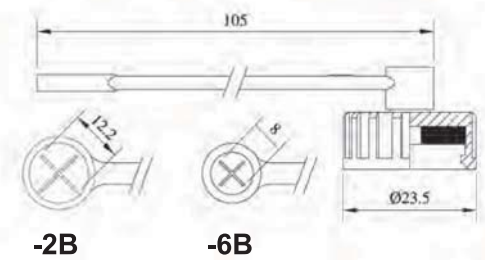

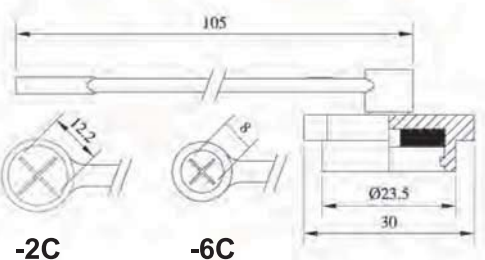
Waterproof Series M20.5

M20.5 Accessory Cap

Figure	Drawing	Contact	Part No.
			UT-264C-1
	 <p>-2A -6A</p>		UT-264C-2A UT-264C-6A
			UT-264C-12A
<p>mate: male cable with nut NO SCREW</p> 	 <p>-2D -6D</p>		UT-264C-2D UT-264C-6D
<p>mate: female cable with nut NO SCREW</p> 	 <p>-2E -6E</p>		UT-264C-2E UT-264C-6E


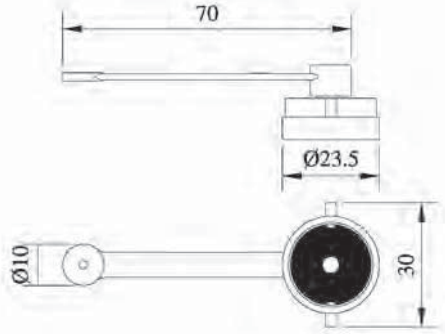

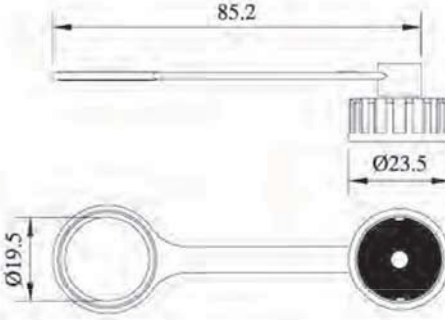

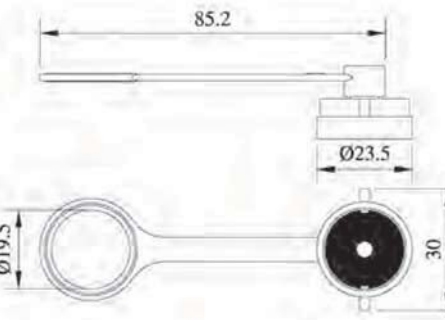
Waterproof Series M20.5

M20.5 Accessory Cap

Figure	Drawing	Contact	Part No.
<p>mate: male socket with nut NO SCREW</p> 			<p>UT-264C-12D</p>
<p>mate: male cable with nut Twist Lock, NO SCREW</p> 	 <p>-2F -6F</p>		<p>UT-264C-2F UT-264C-6F</p>
<p>mate: female cable with nut Twist Lock, NO SCREW</p> 	 <p>-2G -6G</p>		<p>UT-264C-2G UT-264C-6G</p>
<p>Twist Lock</p> 	 <p>-2B -6B</p>		<p>UT-264C-2B UT-264C-6B</p>
<p>Twist Lock</p> 	 <p>-2C -6C</p>		<p>UT-264C-2C UT-264C-6C</p>






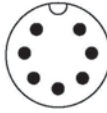
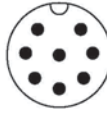




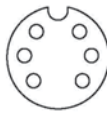
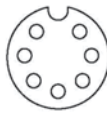
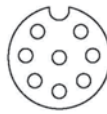

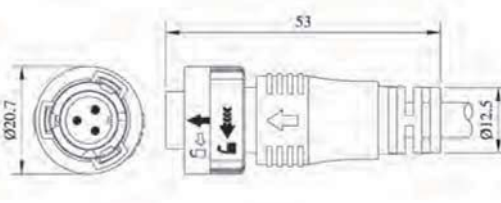

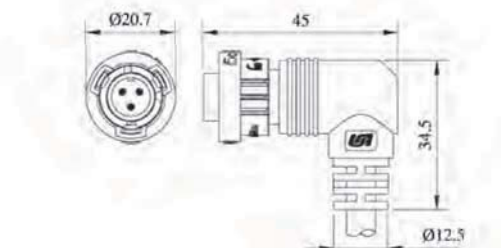

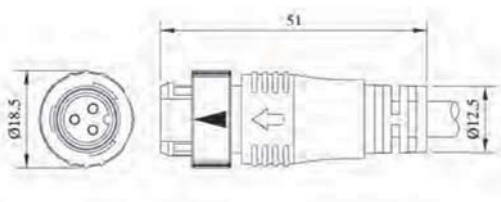
Waterproof Series M20.5

M20.5 Accessory Cap

Figure	Drawing	Contact	Part No.
<p>Twist Lock</p> 			<p>UT-264C-8C</p>
<p>Twist Lock</p> 			<p>UT-264C-12B</p>
<p>Twist Lock</p> 			<p>UT-264C-12C</p>


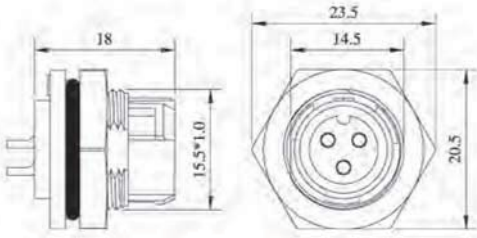

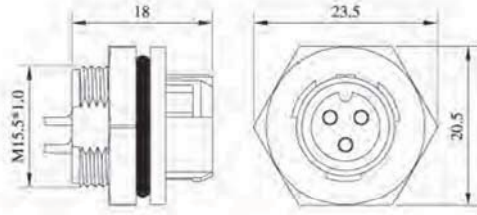

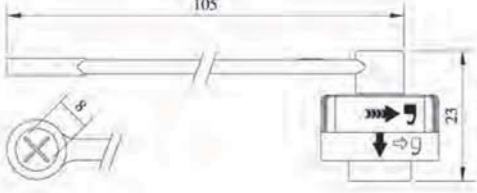

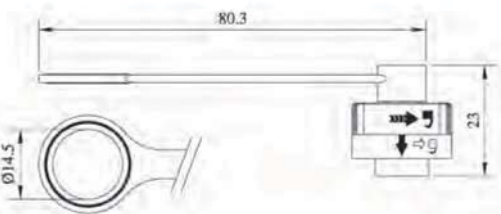

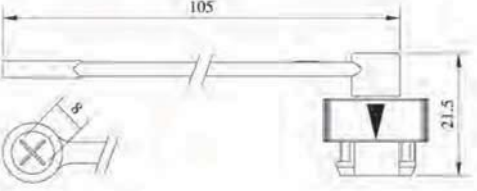
Waterproof Series Type J

J1 series 專利產品

Specification			
Locking system	Quick Push Lock		
Shell protection	IP68(under water 1M/24Hrs)		
Contacts	2,3	4,5	6,7,8
Rated voltage	250V	250V	60V
Rated current	10A	5A	5A
Contact resistance	< 10mΩ		
Insulation resistance	> 10MΩ		
Contact arrangement			
Male insert			
			
2P	3P	4P	5P
			
6P	7P	8P	
Female insert			
			
2P	3P	4P	5P
			
6P	7P	8P	
Figure	Drawing	Contact	Part No.
		2~8	UT-D363M1-XP
		2~8	UT-D364M1-XP
		2~8	UT-D363F1-XP

Waterproof Series Type J

J1 Cable Connector series

Figure	Drawing	Contact	Part No.
		2~8	UT-SD363M1-XP
		2~8	UT-SD363M2-XP
			UT-D363C-6A
			UT-D363C-11A
			UT-D363C-6B


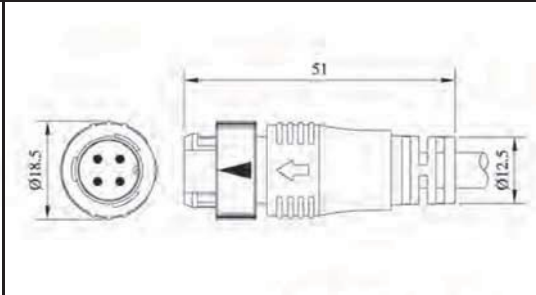

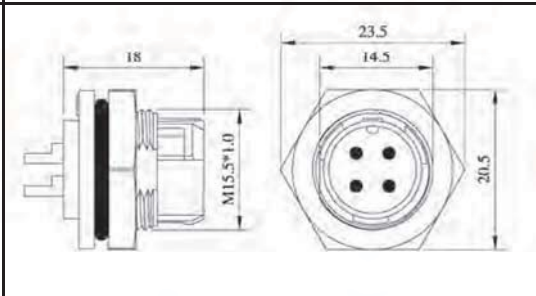

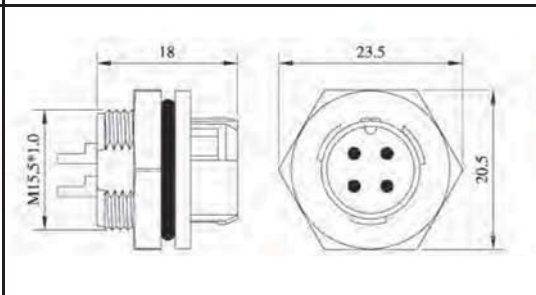

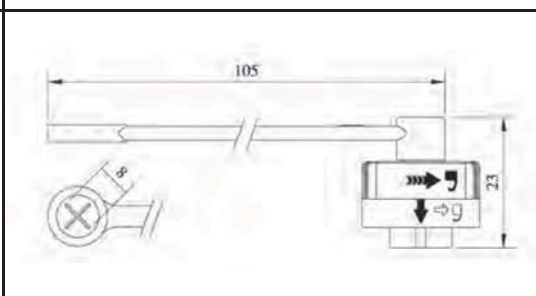

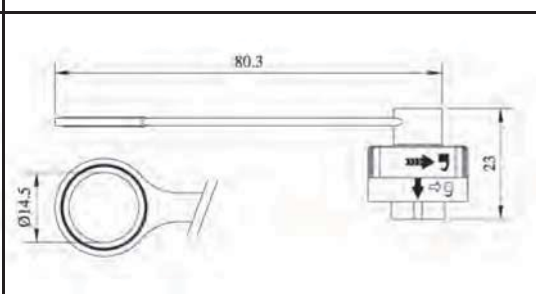

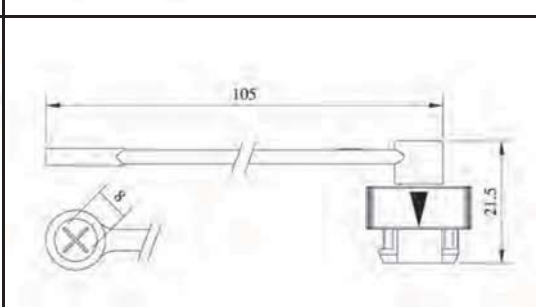
Waterproof Series Type J

J2 series 專利產品

Specification			
Locking system	Quick Push Lock		
Shell protection	IP68(under water 1M/24Hrs)		
Contacts	2,3,4A	4B,5	6,7,8
Rated voltage	250V	250V	60V
Rated current	10A	5A	5A
Contact resistance	< 10mΩ		
Insulation resistance	> 10MΩ		
Contact arrangement			
Male insert			
Female insert			
Figure	Drawing	Contact	Part No.
		2~8	UT-D363F2-XP
		2~8	UT-D364F1-XP











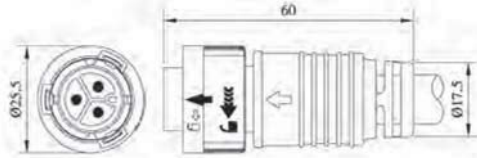

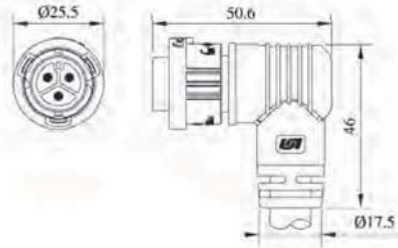

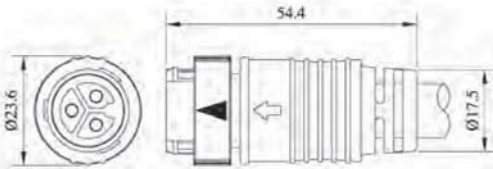
Waterproof Series Type J

J2 Cable Connector series

Figure	Drawing	Contact	Part No.
		2~8	UT-D363M2-XP
		2~8	UT-SD363F1-XP
		2~8	UT-SD363F2-XP
			UT-D363C-6C
			UT-D363C-11C
			UT-D363C-6D


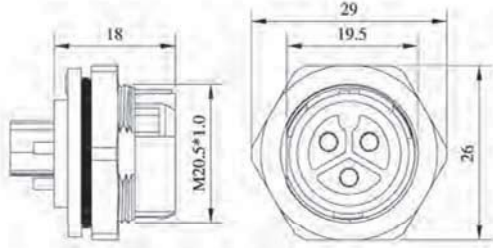

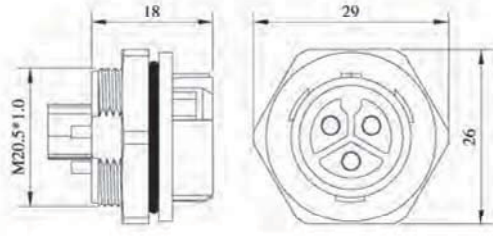

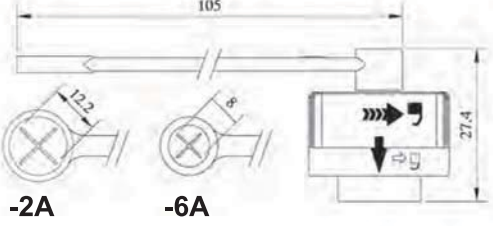

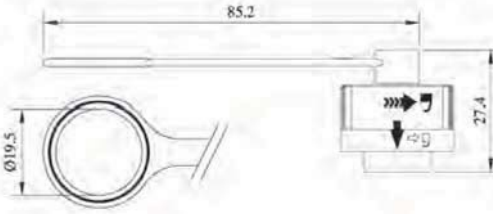

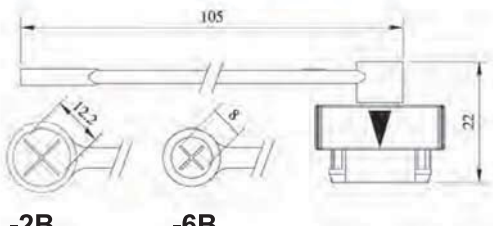
Waterproof Series Type J

J3 series 專利產品

Specification			
Locking system	Quick Push Lock		
Shell protection	IP68(under water 1M/24Hrs)		
Contacts	2,3	4	5,6
Rated voltage	300V	250V	60V
Rated current	20A	10A	10A
Contact resistance	< 10mΩ		
Insulation resistance	> 10MΩ		
Contact arrangement			
Male insert			
			
2P	3P	4P	5P
Female insert			
			
2P	3P	4P	5P
			
6P			
Figure	Drawing	Contact	Part No.
		2~6	UT-D365M1-XP
		2~6	UT-D366M1-XP
		2~6	UT-D365F1-XP








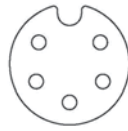

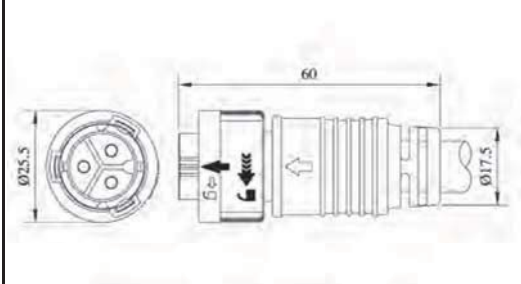

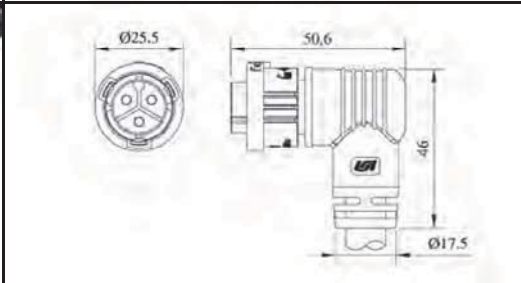

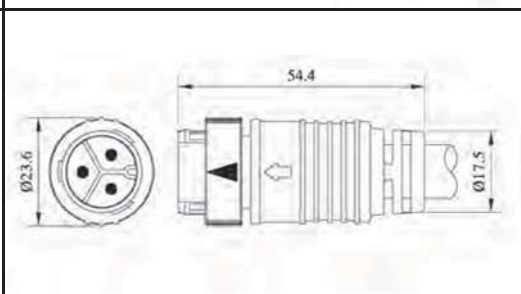
Waterproof Series Type J

J3 Cable Connector series

Figure	Drawing	Contact	Part No.
		2~6	UT-SD365M1-XP
		2~6	UT-SD365M2-XP
			UT-D365C-2A UT-D365C-6A
			UT-D365C-12A
			UT-D365C-2B UT-D365C-6B


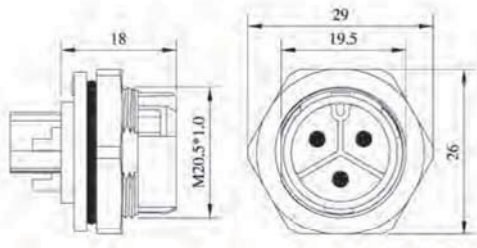

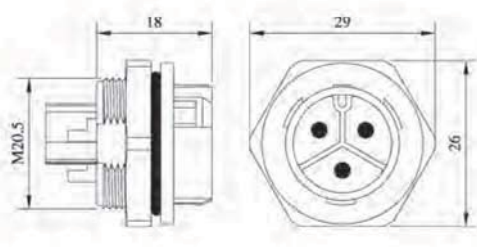

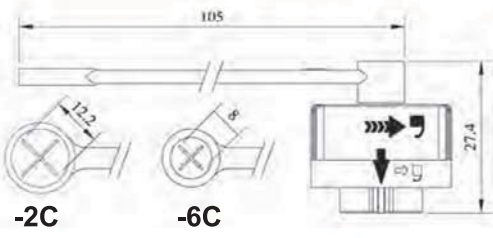

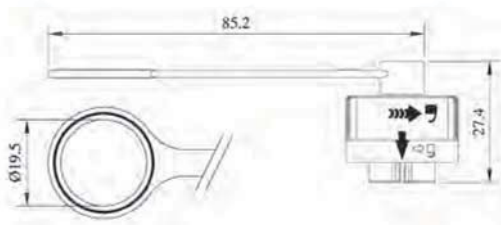

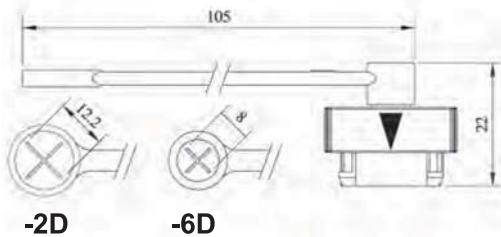
Waterproof Series Type J

J4 series 專利產品

Specification			
Locking system	Quick Push Lock		
Shell protection	IP68(under water 1M/24Hrs)		
Contacts	2,3	4	5,6
Rated voltage	300V	250V	60V
Rated current	20A	10A	10A
Contact resistance	< 10mΩ		
Insulation resistance	> 10MΩ		
Contact arrangement			
Male insert			
			
2P	3P	4P	5P
Female insert			
			
2P	3P	4P	5P
		2~6	UT-D365F2-XP
		2~6	UT-D366F1-XP
		2~6	UT-D365M2-XP

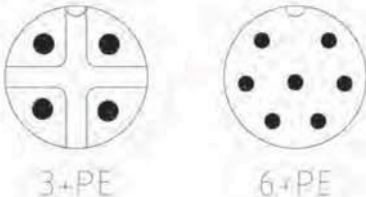
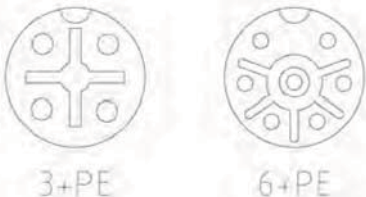

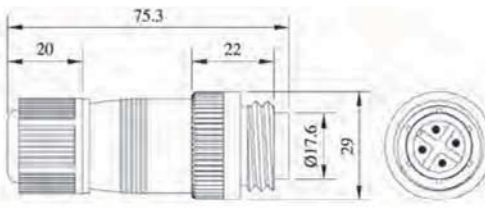

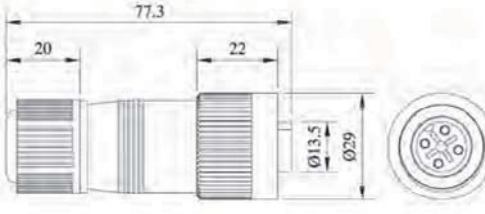

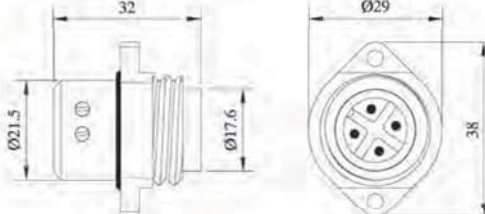

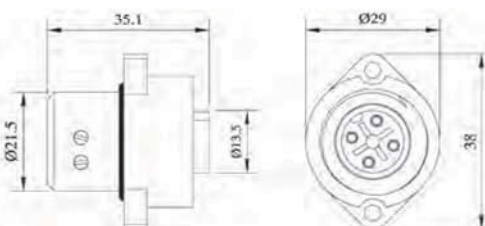
Waterproof Series Type J

J4 Cable Connector series

Figure	Drawing	Contact	Part No.
		2~6	UT-SD365F1-XP
		2~6	UT-SD365F2-XP
			UT-D365C-2C UT-D365C-6C
			UT-D365C-12C
			UT-D365C-2D UT-D365C-6D


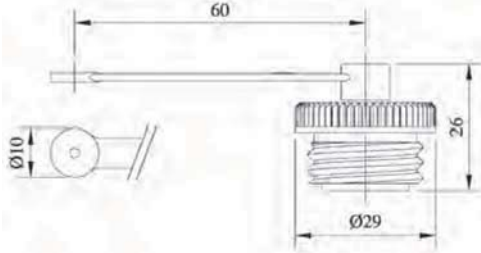

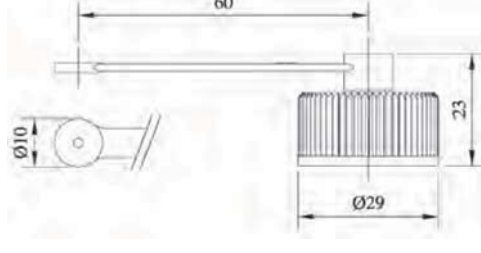
Waterproof Series RD24

RD24 series

Specification			
Locking system	Screw		
Shell protection	IP67		
Contacts	3+PE	6+PE	
Rated current	16A	10A	
Contact resistance	$\leq 10\text{m}\Omega$		
Insulation resistance	$\geq 10\text{M}\Omega$		
Contact arrangement			
Male insert		Female insert	
Figure	Drawing	Contact	Part No.
SCREW TERMINATION 		3+PE	UT-3398-P-04-X
		6+PE	UT-3398-P-07-X
SCREW TERMINATION 		3+PE	UT-3398-S-04-X
		6+PE	UT-3398-S-07-X
SCREW TERMINATION 		3+PE	UT-3399-P-04
		6+PE	UT-3399-P-07
SCREW TERMINATION 		3+PE	UT-3399-S-04
		6+PE	UT-3399-S-07

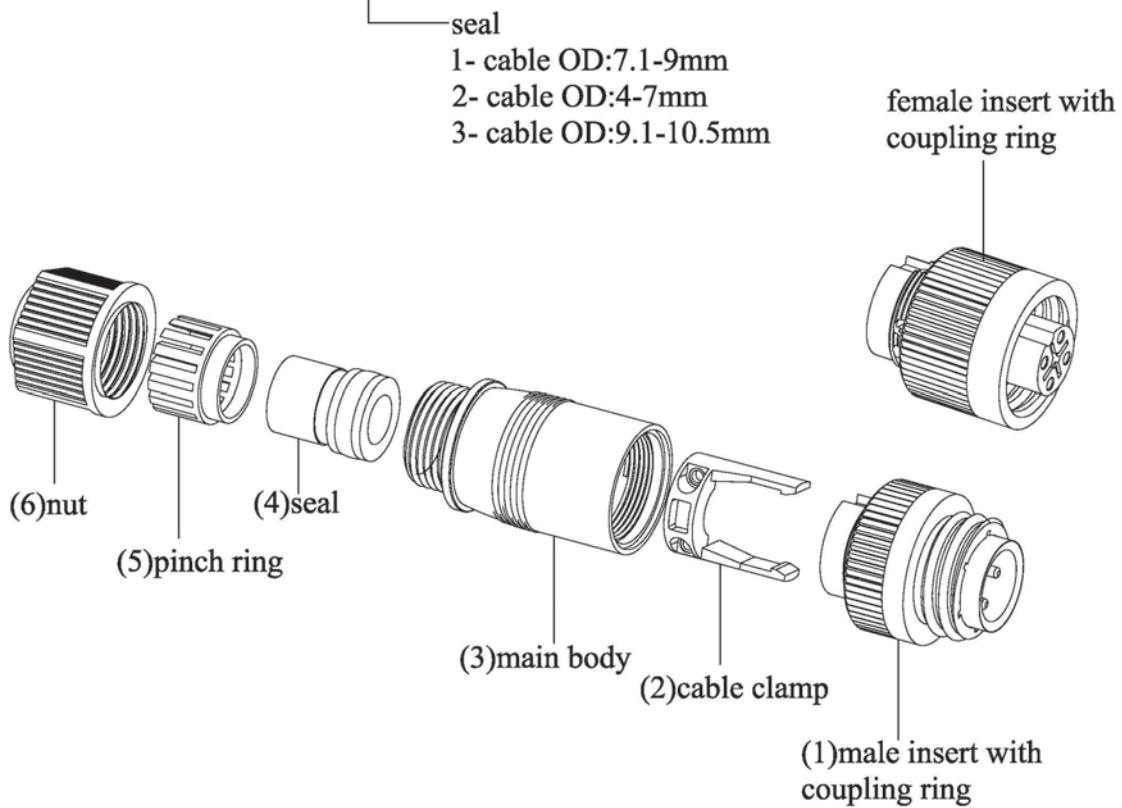
Waterproof Series RD24

RD24 Accessory Cap

Figure	Drawing	Contact	Part No.
			UT-3398C-P-8
			UT-3398C-S-8

Componet Part Drawing

Part No.: UT-3398-P-04-X




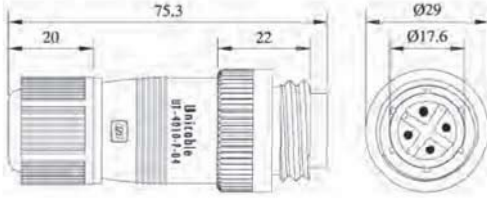

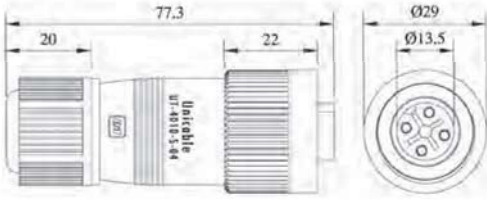
Waterproof Series RD24

RD24 series(UL)


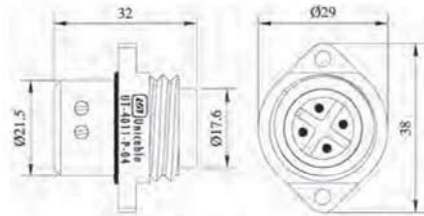

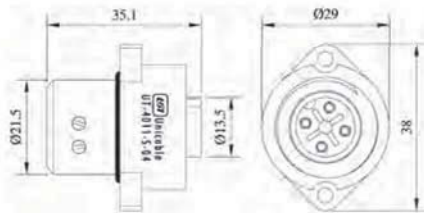
Specification	
Locking system	Screw
Shell protection	IP67
Contacts	3+PE
Rated voltage(UL)	600V
Rated current(UL)	12A
Contact resistance	$\leq 10\text{m}\Omega$
Insulation resistance	$\geq 10\text{M}\Omega$

UL-Recognized file No. E359387

RD24 Cable Connector series


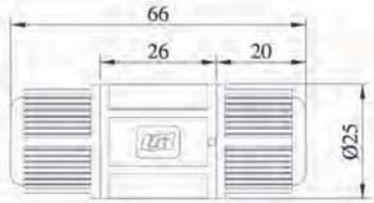
Figure	Drawing	Contact	Part No.
 <p>SCREW TERMINATION</p>		3+PE	UT-4010-P-04-X
 <p>SCREW TERMINATION</p>		3+PE	UT-4010-S-04-X

RD24 Socket series

Figure	Drawing	Contact	Part No.
 <p>SCREW TERMINATION</p>		3+PE	UT-4011-P-04
 <p>SCREW TERMINATION</p>		3+PE	UT-4011-S-04

Waterproof Series Cable Joiner

Cable Joiner

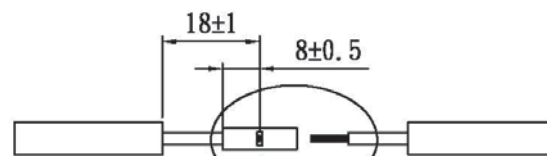
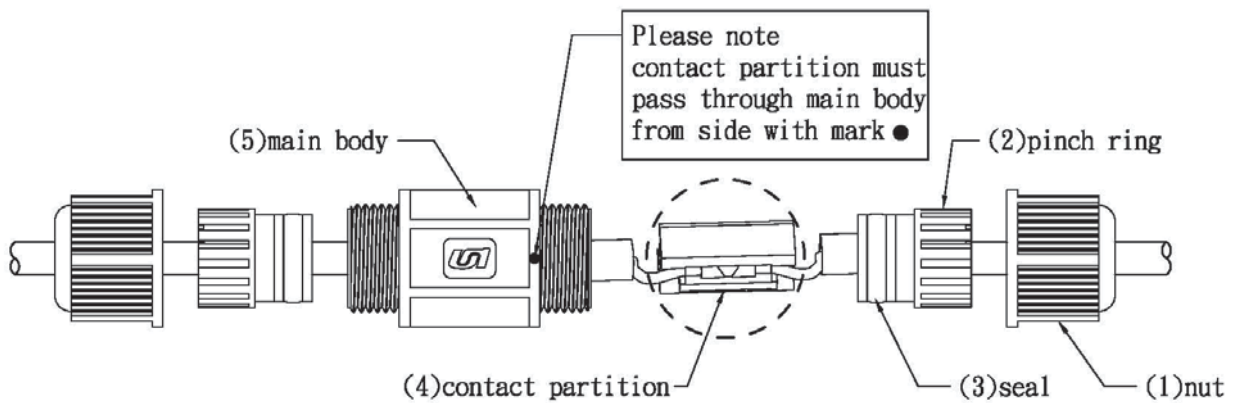
Figure	Drawing	Part No.	Rated
		UT-2981-X-X	IP68 (1M/24Hrs)

Componet Part Drawing

Part No. : UT-2981-X-X

seal
 1-cable OD : 7.1-9mm
 2-cable OD : 4-7mm
 3-cable OD : 9.1-10.5mm
 4-cable OD : (2.5-4.5mm)*2


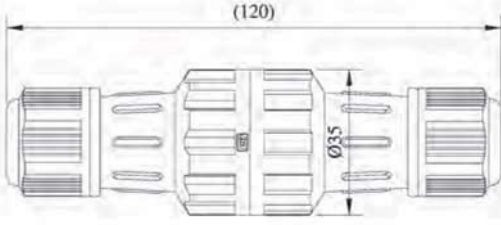
contact partition
 1-conductor awg#14-16
 2-conductor awg#18-22
 3-conductor awg#10-12



(6) Non-insulated butt connectors
 connect two conductors by non-insulated butt connectors by solder or crimp method

Waterproof Series Cable Joiner

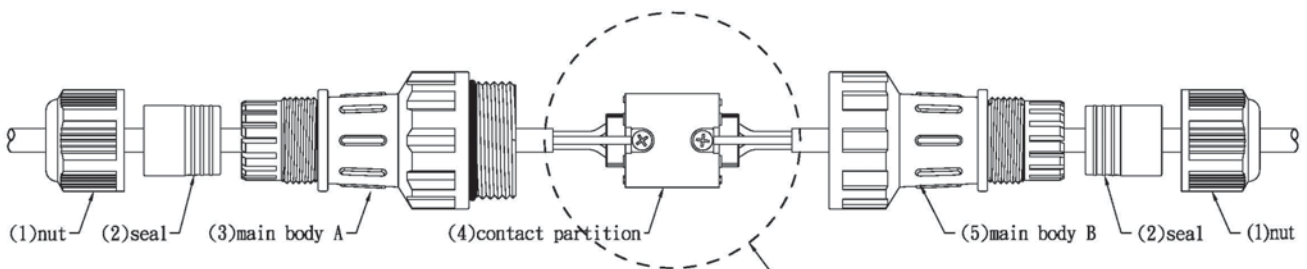
Cable Joiner

Figure	Drawing	Part No.	Rated
		UT-4076-X	IP68 (1M/24Hrs)

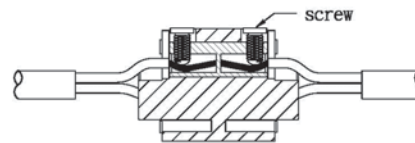
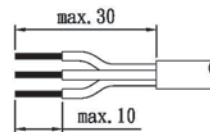
Reference

Part No. : UT-4076-X

- 1-cable OD : 4-7mm
- 2-cable OD : 7.1-9mm
- 3-cable OD : 9.1-11mm
- *Wire range : AWG#12-18


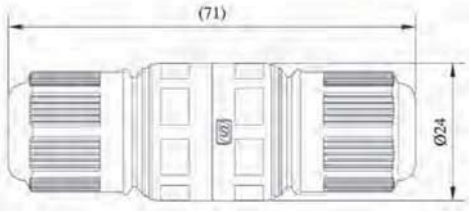


Cable preparation



Waterproof Series Cable Joiner

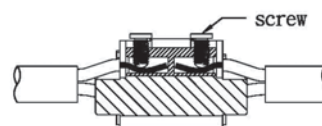
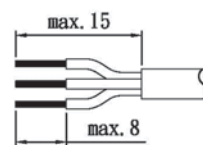
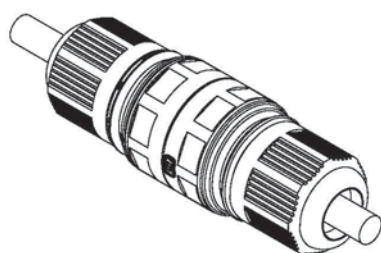
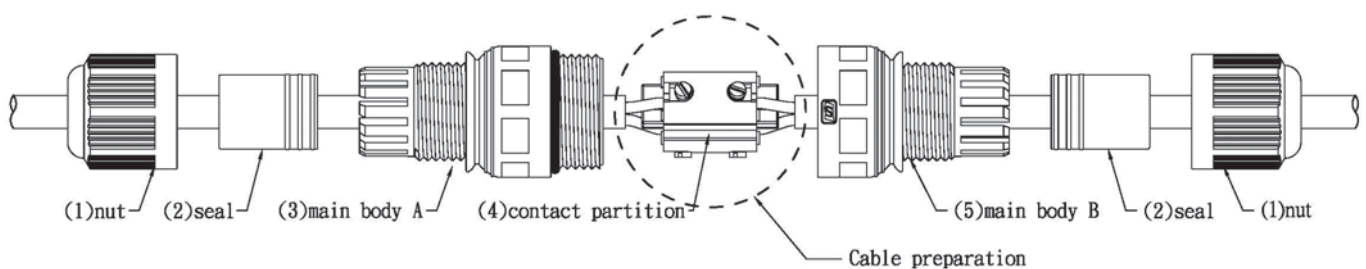
Cable Joiner

Figure	Drawing	Part No.	Rated
		UT-4370-X	IP68 (1M/24Hrs)

Reference


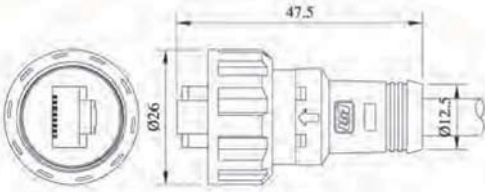

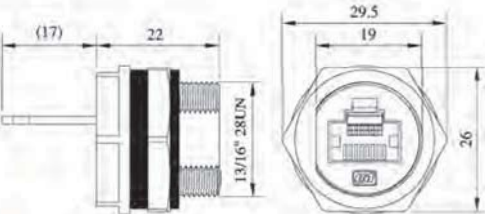

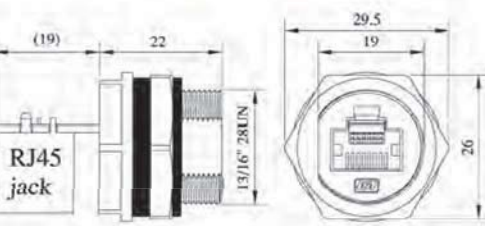

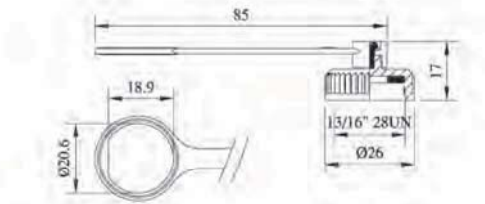

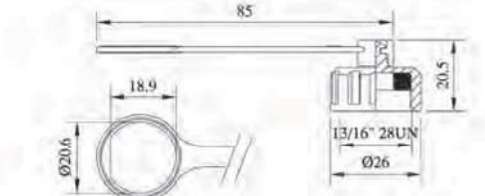

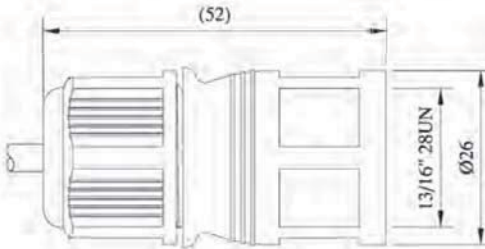
Part No. : UT-4370-X

- 1-cable OD : 4.2-5.2mm
- 2-cable OD : 6.2-7.2mm
- 3-cable OD : 7.3-8.2mm
- 4-cable OD : 8.3-9.7mm
- *Wire range : AWG#14-24



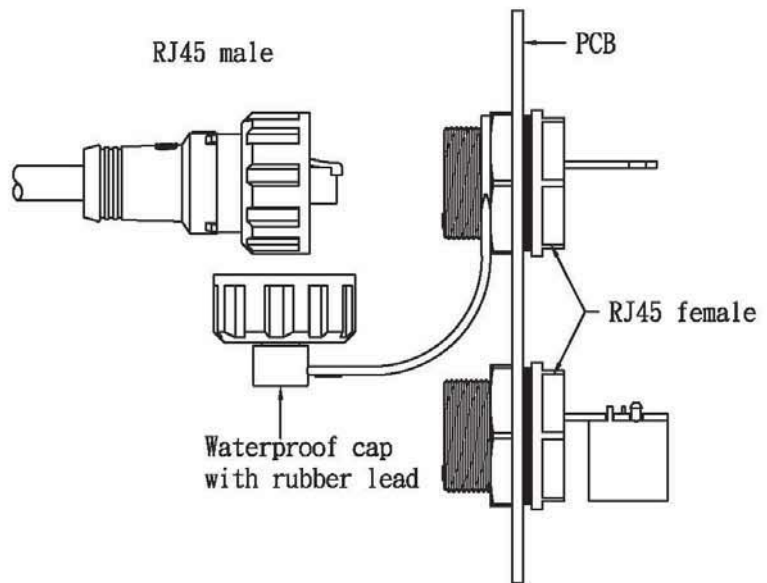
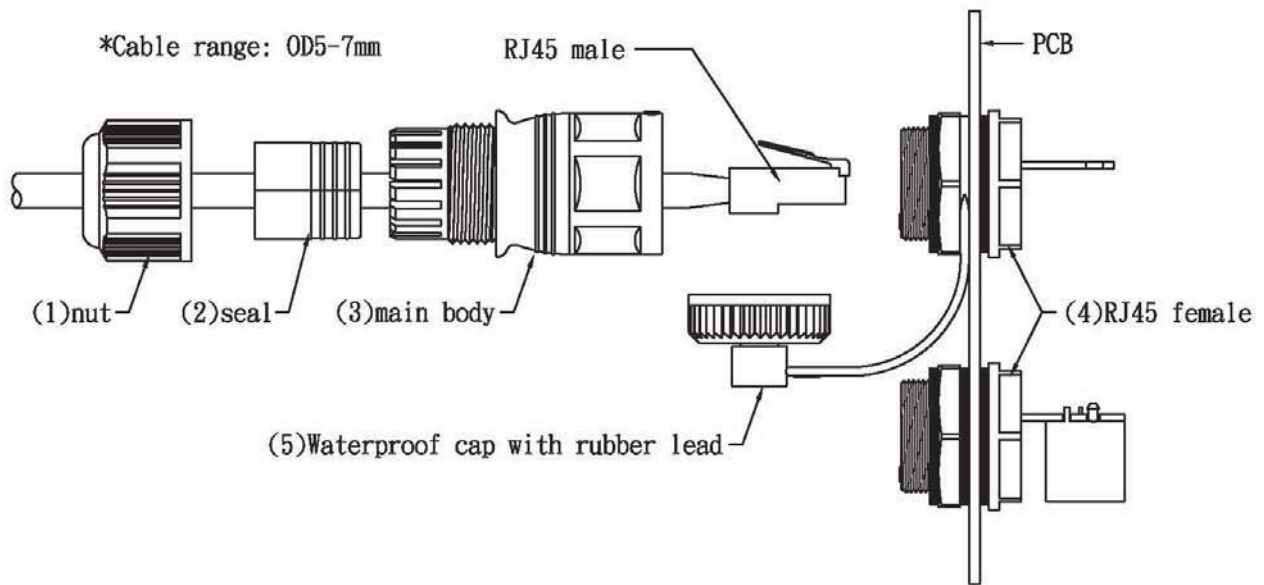
Waterproof Series RJ45

RJ45 series

Specification			
Locking system	Screw		
Shell protection	IP68(under water 1M/24Hrs)		
Rated voltage	60V		
Rated current	1.5A		
Figure	Drawing	Contact	Part No.
		8	UT-D333M-8P
		8	UT-4047
		8	UT-4047-01
			UT-4047C-13
NO SCREW 			UT-4047C-13A
			UT-4048


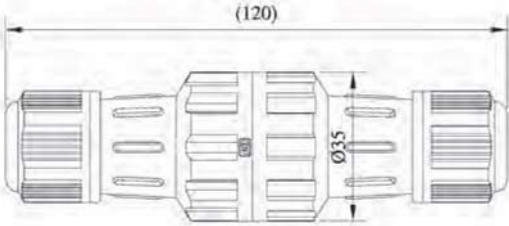
Waterproof Series RJ45

Reference

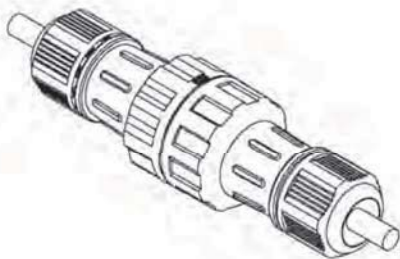
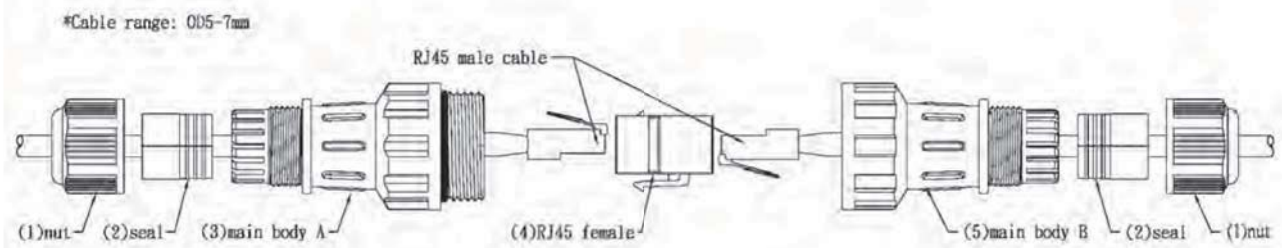


Waterproof Series RJ45

RJ45 serie


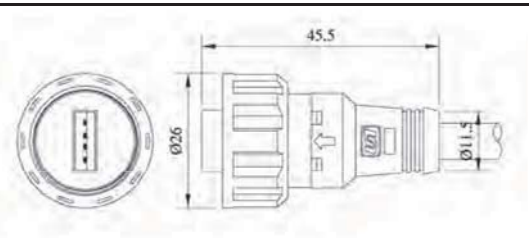

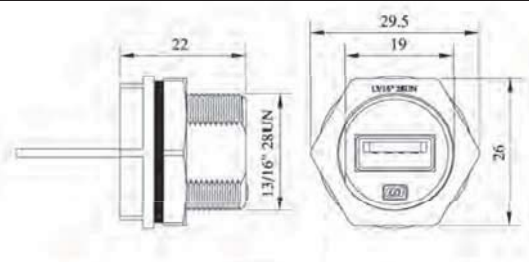

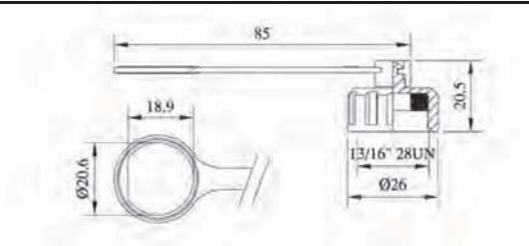
Figure	Drawing	Part No.	Rated
		UT-4077	IP68 (1M/24Hrs)

Reference

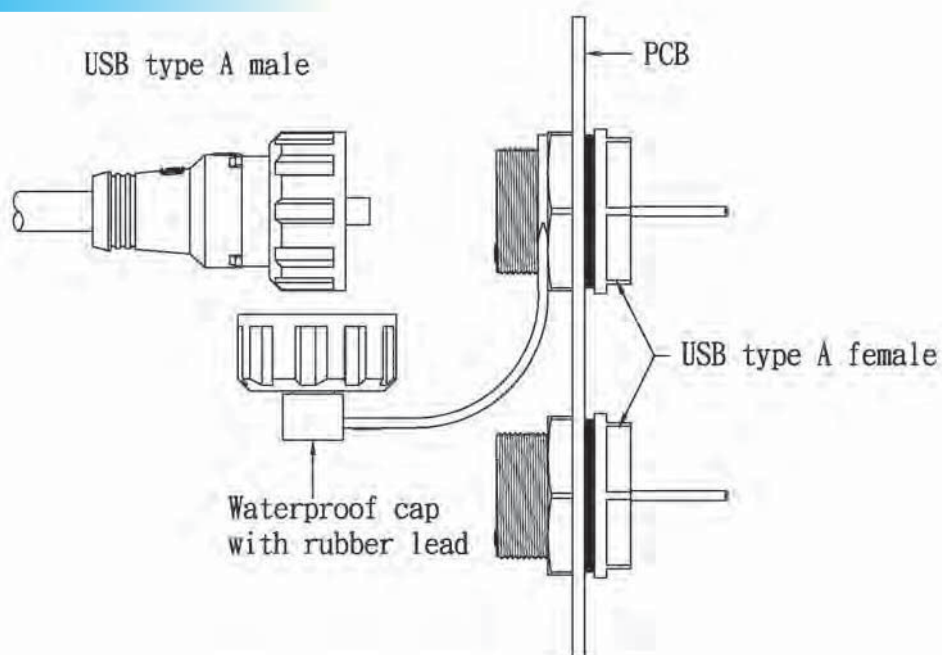


Waterproof Series USB Type A

USB Type A series

Specification			
Locking system	Screw		
Shell protection	IP67		
Contact	4		
Rated current	1.5A		
Contact resistance	$\leq 30\text{m}\Omega$		
Insulation resistance	$\geq 1000\text{M}\Omega$ at 500V DC		
Figure	Drawing	Contact	Part No.
		4	UT-D331M-4P
		4	UT-SD331M-4P
NO SCREW 			UT-4047C-13A

Reference



Waterproof Series SMB

SMB Specification

Electrical		
Impedance	50 ohm	
Frequency Range	0-4 GHz	
Working Voltage	RG-178: 250 VRMS max.	
	RG-316, .085": 335 VRMS max.	
	RG-174: 250 VRMS max.	
Dielectric Withstanding Voltage	RG-178: 750 VRMS min.	
	RG-316, .085": 1000 VRMS min.	
	RG-174: 1000 VRMS min.	
VSWR	Straight	1.3 max.
Contact Resistance	Center Contact	6 Milliohms max.
	Outer Contact	2.5 Milliohms max.
Insulator Resistance	1000 Megohms min.	
Material		
Parts Name	Material	Finish
Body, Metal Parts	Brass per QQ-B-626	Gold 3 micro-inches
Center Contacts	Male: Brass per QQ-B-626	Gold 30 micro-inches
	Female: Beryllium copper per QQ-C-530	Gold 30 micro-inches
Insulators	Teflon	None
Crimp Ferrules	Annealed Brass	Gold 3 micro-inches
Mechanical & Environmental		
Engaement/Disengagement Force	14 lbs. max.	
Contact Retention	4 lbs. min.	
Durability(Mating)	500 cycles min.	
Temperature Range	-40°C ~ 80 °C	
Vibration	MIL-STD-202 Method 204 Test Cond. B.	
Salt Spray	MIL-STD-202 Method 101 Test Cond. B.	
Ternal Shock	MIL-STD-202 Method 107 Test Cond. B.	

Order information : PART NO. UT-P264-50

IP68 when mated overmolded connector with RG174

Cable-length 1M, 3M & 5M


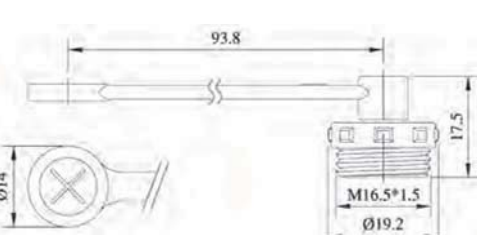
PART NO. UT-P265-50

IP68 when mated panel connector pre-wired RG174

Cable-length 0.5M, 1M & 1.5M




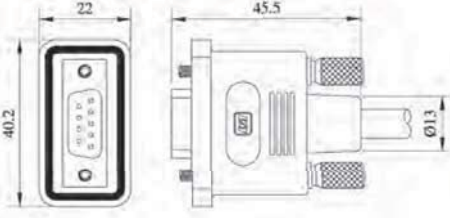

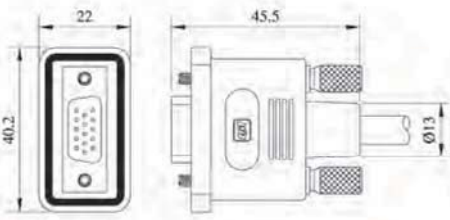

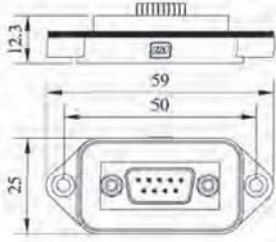

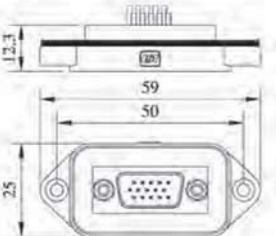
Waterproof Series SMB

SMB series

Figure	Drawing	Contact	Part No.
		1	UT-P264-50
		1	UT-P265-50
			UT-264C-8
			UT-265C-6


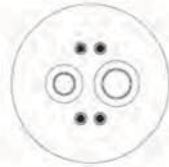

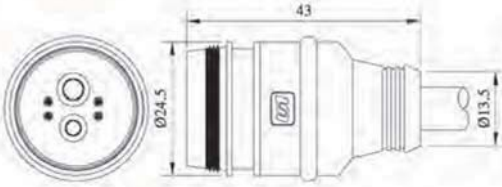

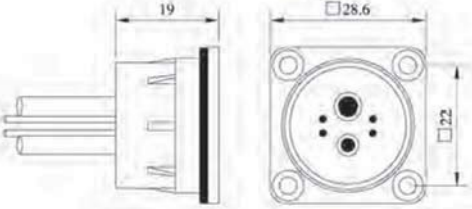

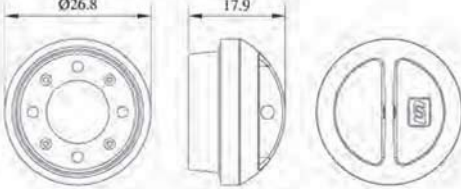
Waterproof Series D SUB

D SUB series

Specification			
Locking system	Screw		
Shell protection	IP67		
Contact	9	15	
Rated current	5A	2A	
Contact resistance	$\leq 20m\Omega$		
Insulation resistance	$\geq 500M\Omega$ at 500V DC		
Contact arrangement			
Male insert			
			
Female insert			
			
Figure	Drawing	Contact	Part No.
		9	UT-D335F-9P
		15	UT-D335F-15P
		9	UT-SD335F-9P
		15	UT-SD335F-15P


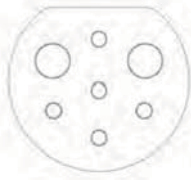

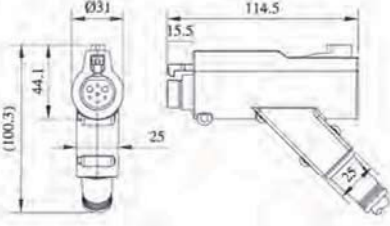

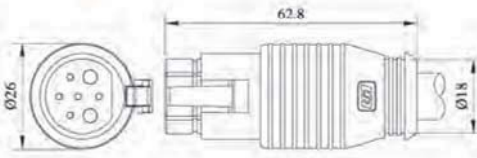

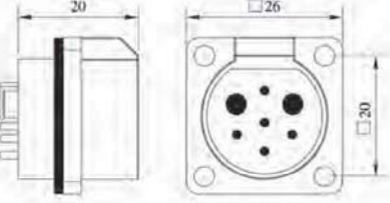

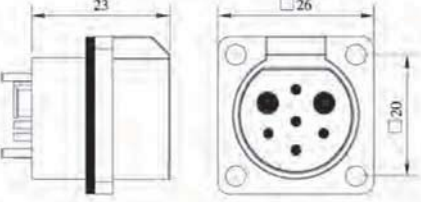
Waterproof Series Magnetic

Magnetic series

Specification			
Locking system	magnetic		
Shell protection	IP64 when mated		
Rated voltage	12V-48V		
Rated current	Large pin 20A		
Contact arrangement			
Male insert	Female insert		
			
Figure	Drawing	Contact	Part No.
		2+4	UT-D336F-6P
		2+4	UT-SD336F-6P
			UT-336C

Waterproof Series Type K

K series

Specification			
Locking system	Quick Lock		
Shell protection	IP65		
Contacts	2+5		
Rated voltage	250V		
Rated current	Large pin 35A ; Small pin 10A		
Contact resistance	Large pin <math>< 5m\Omega</math> ; Small pin <math>< 30m\Omega</math>		
Contact arrangement			
Male insert	Female insert		
			
Figure	Drawing	Contact	Part No.
		2+5	UT-5009
		2+5	UT-D357F-7P
		2+5	UT-5008
專利產品 		2+5	UT-SD357F-7P

Waterproof Series M22

M22 series


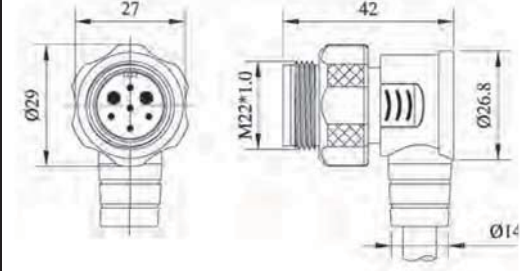

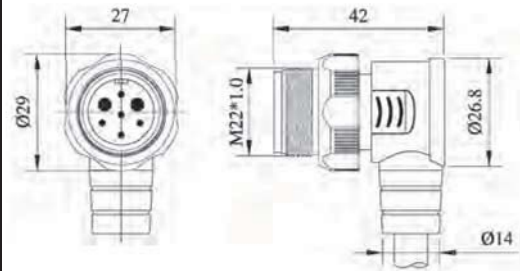

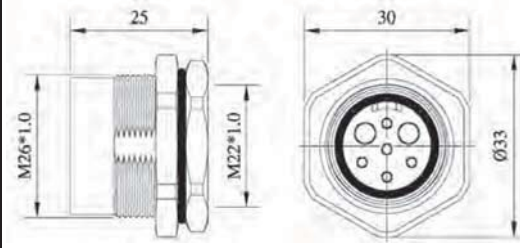

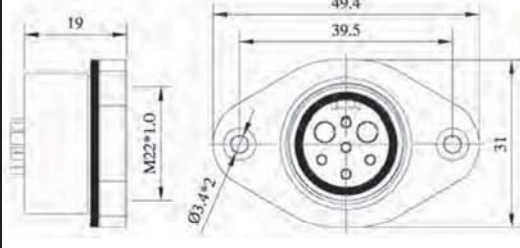

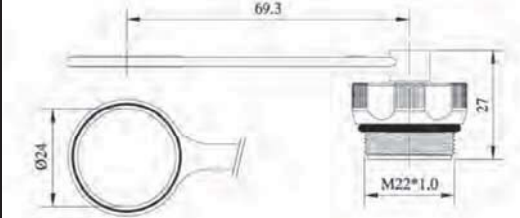

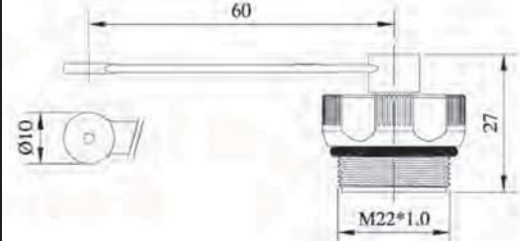
Specification	
Locking system	Screw
Shell protection	IP67
Contacts	2, 2+1(3), 2+2(4), 2+3(5A), 2+3(5B), 2+4(6A), 2+4(6B), 2+5(7)
Rated voltage	360V
Rated current	Large pin 35A; Small pin 10A
Contact resistance	Large pin <math>< 5m\Omega</math>; Small pin <math>< 30m\Omega</math>
Insulation resistance	$\geq 10M\Omega$
Contact arrangement	
Male insert	
<p>2 P 2+1(3) P 2+2(4) P 2+3(5A) P 2+3(5B) P 2+4(6A) P 2+4(6B) P 2+5(7) P</p>	
Female insert	
<p>2 P 2+1(3) P 2+2(4) P 2+3(5A) P 2+3(5B) P 2+4(6A) P 2+4(6B) P 2+5(7) P</p>	

M22 Cable Connector series

Figure	Drawing	Contact	Part No.		
		2	UT-D259M1-2P		
		2+1	UT-D259M1-3P		
		2+2	UT-D259M1-4P		
		2+3(A)	UT-D259M1-5AP		
		2+3(B)	UT-D259M1-5BP		
		2+4(A)	UT-D259M1-6AP		
		2+4(B)	UT-D259M1-6BP		
		2+5	UT-D259M1-7P		
				2	UT-D259M2-2P
				2+1	UT-D259M2-3P
2+2	UT-D259M2-4P				
2+3(A)	UT-D259M2-5AP				
2+3(B)	UT-D259M2-5BP				
2+4(A)	UT-D259M2-6AP				
2+4(B)	UT-D259M2-6BP				
2+5	UT-D259M2-7P				

Waterproof Series M22

M22 Cable Connector series

Figure	Drawing	Contact	Part No.
		2 2+1 2+2 2+3(A) 2+3(B) 2+4(A) 2+4(B) 2+5	UT-D258M1-2P UT-D258M1-3P UT-D258M1-4P UT-D258M1-5AP UT-D258M1-5BP UT-D258M1-6AP UT-D258M1-6BP UT-D258M1-7P
		2 2+1 2+2 2+3(A) 2+3(B) 2+4(A) 2+4(B) 2+5	UT-D258M2-2P UT-D258M2-3P UT-D258M2-4P UT-D258M2-5AP UT-D258M2-5BP UT-D258M2-6AP UT-D258M2-6BP UT-D258M2-7P
		2 2+1 2+2 2+3(A) 2+3(B) 2+4(A) 2+4(B) 2+5	UT-SD259F1-2P UT-SD259F1-3P UT-SD259F1-4P UT-SD259F1-5AP UT-SD259F1-5BP UT-SD259F1-6AP UT-SD259F1-6BP UT-SD259F1-7P
		2 2+1 2+2 2+3(A) 2+3(B) 2+4(A) 2+4(B) 2+5	UT-SD259F4-2P UT-SD259F4-3P UT-SD259F4-4P UT-SD259F4-5AP UT-SD259F4-5BP UT-SD259F4-6AP UT-SD259F4-6BP UT-SD259F4-7P
			UT-259C-7A
			UT-259C-8A

Waterproof Series M24

M24 series

Specification	
Locking system	Screw
Shell protection	IP67
Contacts	2~10 4+5(9B)
Rated voltage	360V 60V
Rated current	Large pin 35A; Small pin 10A
Contact resistance	Large pin < 5mΩ; Small pin < 30mΩ
Insulation resistance	≥ 10MΩ
Contact arrangement	
Male insert	
Female insert	

Order information: ex. UT-D259M3-XP

- 2, 2A- 2PIN
- 3A, 3B- 2+1, 3PIN
- 4- 2+2PIN
- 5A, 5B, 5C- 2+3PIN
- 6A, 6B- 2+4PIN
- 7A, 7B- 2+5, 3+4PIN
- 8- 2+6PIN
- 9, 9A, 9B- 2+7, 3+6, 4+5PIN
- 10- 2+8PIN


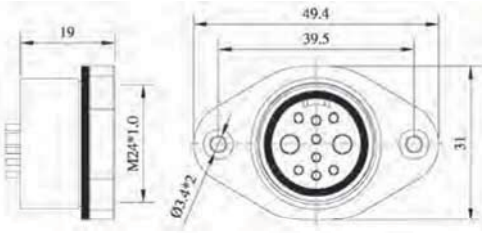

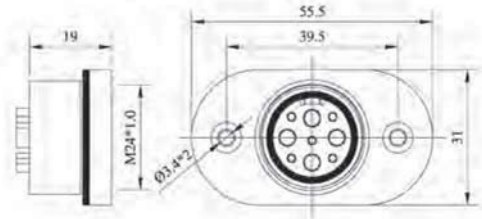

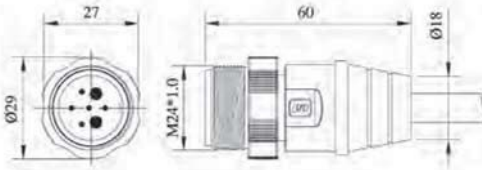


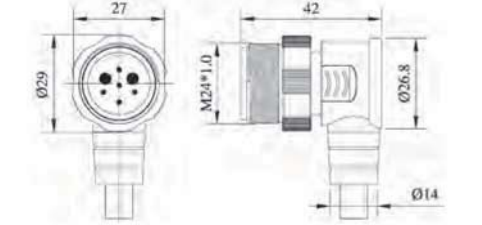

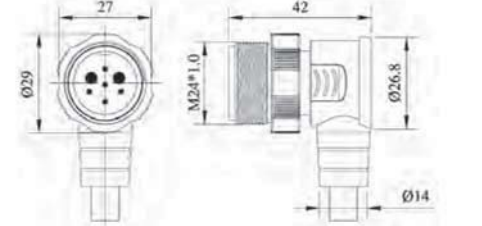
Waterproof Series M24

M24 Cable Connector series

Figure	Drawing	Contact	Part No.
		2~10	UT-D259M3-XP
		2~10	UT-D259M4-XP
		2~10	UT-D258M3-XP
		2~10	UT-D258M4-XP
		2~10	UT-D289F3-XP
		2~10	UT-SD259F2-XP


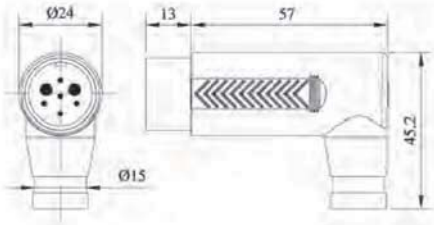

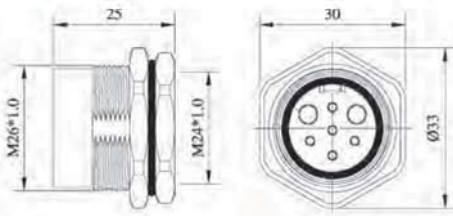
Waterproof Series M24

M24 Cable Connector series


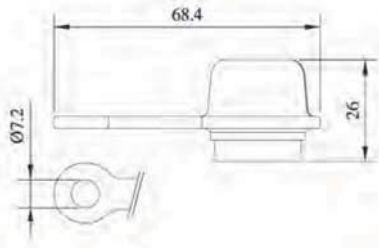
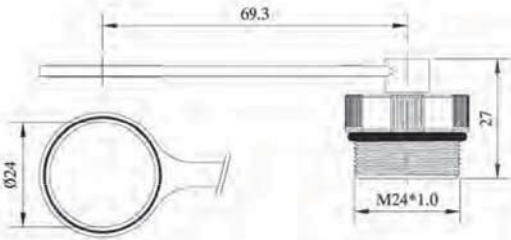

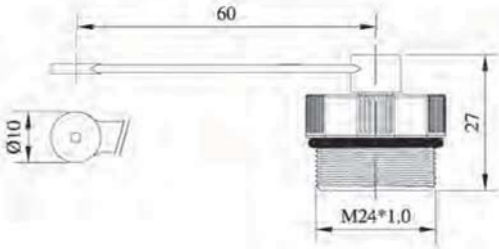
Figure	Drawing	Contact	Part No.
		2~10	UT-D259F5-XP
		2~10	UT-D259F6-XP
		2~7	UT-D259M5-XP
		2~7	UT-D259M6-XP
		2~7	UT-D258M5-XP
		2~7	UT-D258M6-XP

Waterproof Series M24

M24 Cable Connector series


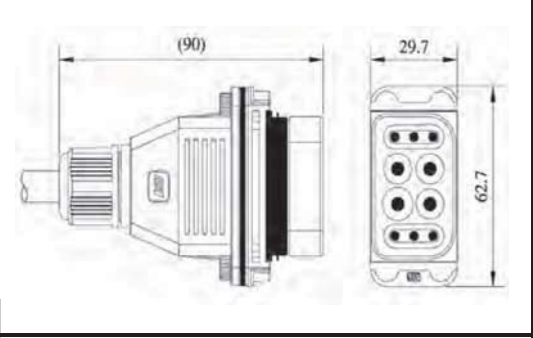

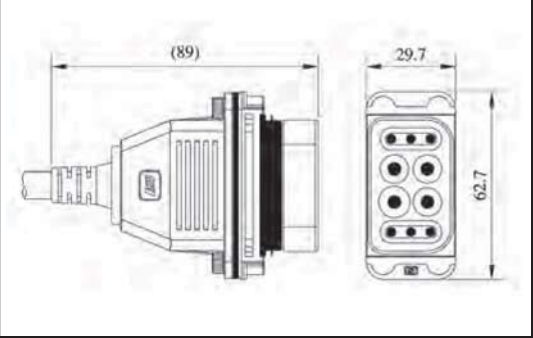

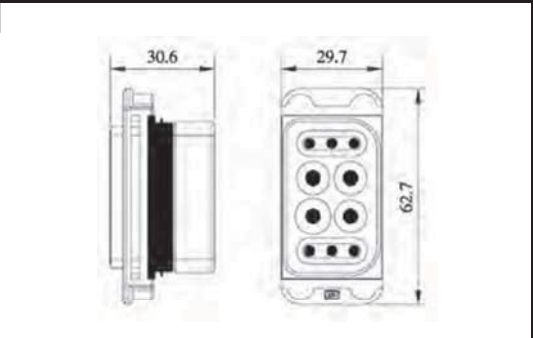

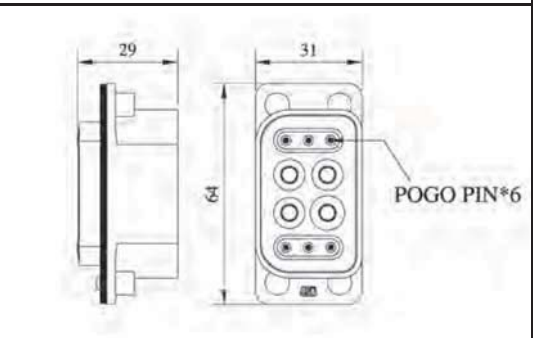
Figure	Drawing	Contact	Part No.
		2~7	UT-D278M1-XP
		2~7	UT-SD259F3-XP

M24 Accessory Cap

Figure	Drawing	Contact	Part No.
			UT-259C
			UT-259C-7B
			UT-259C-8B


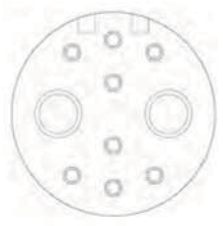

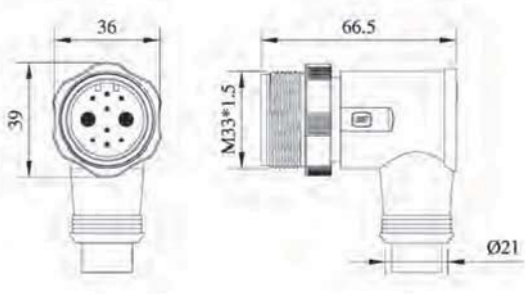

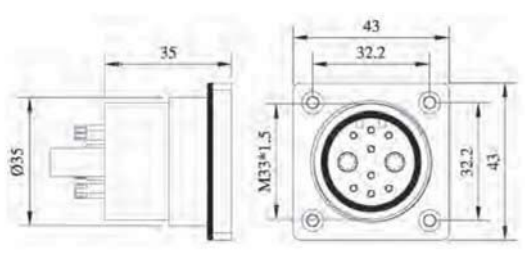

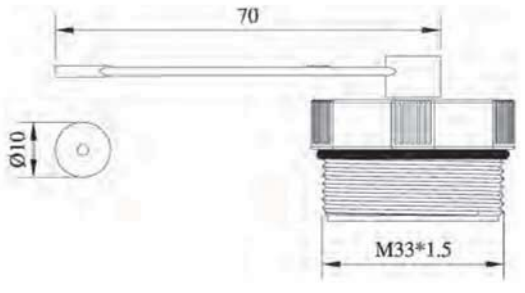
Waterproof Series Type I

Type I series

Specification			
Rated voltage	600V		
Rated current	Large pin 30A; Small pin 5A		
Contact resistance	Large pin < 5mΩ; Small pin < 30mΩ		
Figure	Drawing	Contact	Part No.
		4+6	UT-4323T
		4+6	UT-4323T1
		4+6	UT-4323
		4+6	UT-4324




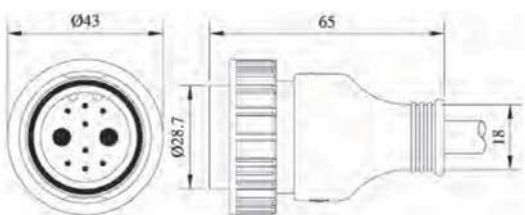

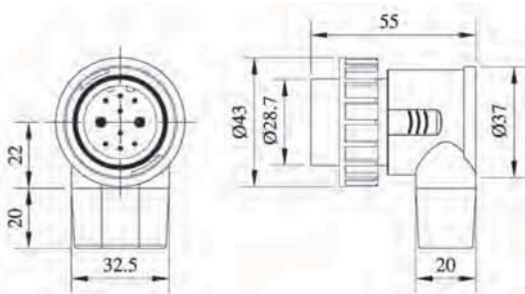

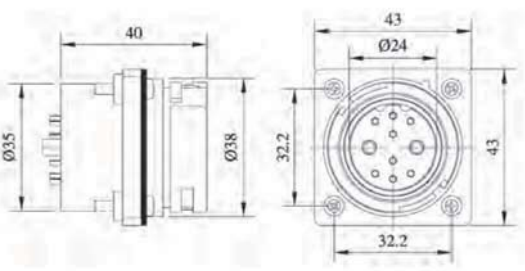
Waterproof Series M33

M33 series

Specification			
Locking system	Screw		
Shell protection	IP67		
Rated voltage	360V		
Rated current	Large pin 65A; Small pin 10A		
Contact resistance	Large pin < 5mΩ; Small pin < 30mΩ		
Insulation resistance	≥ 10MΩ		
Contact arrangement			
Male insert	Female insert		
			
Figure	Drawing	Contact	Part No.
		2 2+2 2+3 2+4 2+5 2+6 2+7 2+8	UT-D280M1-2P UT-D280M1-4P UT-D280M1-5P UT-D280M1-6P UT-D280M1-7P UT-D280M1-8P UT-D280M1-9P UT-D280M1-10P
		2 2+2 2+3 2+4 2+5 2+6 2+7 2+8	UT-SD280F1-2P UT-SD280F1-4P UT-SD280F1-5P UT-SD280F1-6P UT-SD280F1-7P UT-SD280F1-8P UT-SD280F1-9P UT-SD280F1-10P
			UT-280C-8


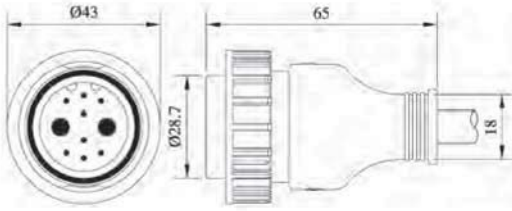

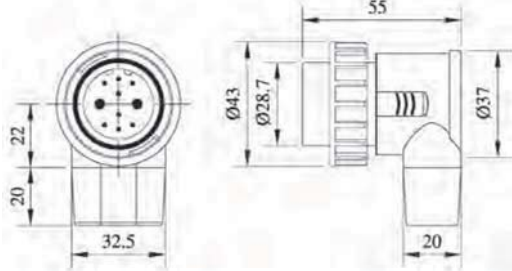

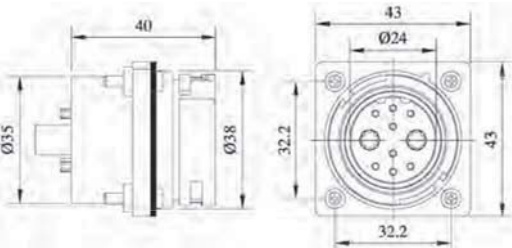

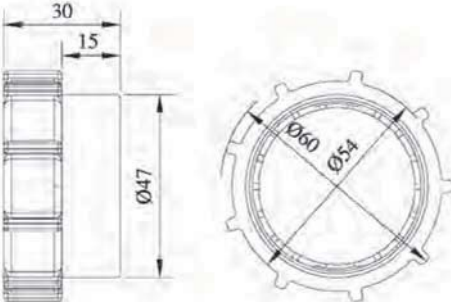
Waterproof Series Type F

Type F series

Specification			
Locking system	Twist Lock		
Shell protection	IP67		
Rated voltage	360V		
Rated current	Large pin 35A/65A; Small pin 10A		
Contact resistance	Large pin < 5mΩ; Small pin < 30mΩ		
Insulation resistance	≥ 10MΩ		
Contact arrangement			
Male insert		Female insert	
Figure	Drawing	Contact	Part No.
35A 		2 2+2 2+3 2+4 2+5 2+6 2+7 2+8	UT-D283M1-3-2P UT-D283M1-3-4P UT-D283M1-3-5P UT-D283M1-3-6P UT-D283M1-3-7P UT-D283M1-3-8P UT-D283M1-3-9P UT-D283M1-3-10P
35A 		2 2+2 2+3 2+4 2+5 2+6 2+7 2+8	UT-D257M1-2P UT-D257M1-4P UT-D257M1-5P UT-D257M1-6P UT-D257M1-7P UT-D257M1-8P UT-D257M1-9P UT-D257M1-10P
35A 		2 2+2 2+3 2+4 2+5 2+6 2+7 2+8	UT-SD257F1-2P UT-SD257F1-4P UT-SD257F1-5P UT-SD257F1-6P UT-SD257F1-7P UT-SD257F1-8P UT-SD257F1-9P UT-SD257F1-10P

Waterproof Series Type F


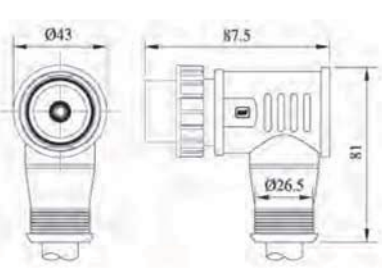

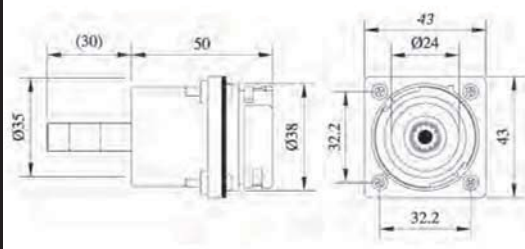
Type F series

Figure	Drawing	Contact	Part No.
65A 		2 2+2 2+3 2+4 2+5 2+6 2+7 2+8	UT-D283M2-3-2P UT-D283M2-3-4P UT-D283M2-3-5P UT-D283M2-3-6P UT-D283M2-3-7P UT-D283M2-3-8P UT-D283M2-3-9P UT-D283M2-3-10P
65A 		2 2+2 2+3 2+4 2+5 2+6 2+7 2+8	UT-D257M2-2P UT-D257M2-4P UT-D257M2-5P UT-D257M2-6P UT-D257M2-7P UT-D257M2-8P UT-D257M2-9P UT-D257M2-10P
65A 		2 2+2 2+3 2+4 2+5 2+6 2+7 2+8	UT-SD257F2-2P UT-SD257F2-4P UT-SD257F2-5P UT-SD257F2-6P UT-SD257F2-7P UT-SD257F2-8P UT-SD257F2-9P UT SD257F2-10P
			UT-283R


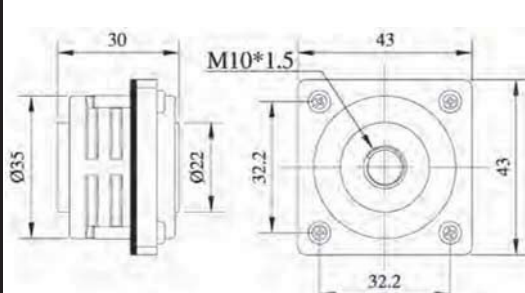


Waterproof Series Type G&H

Type G series


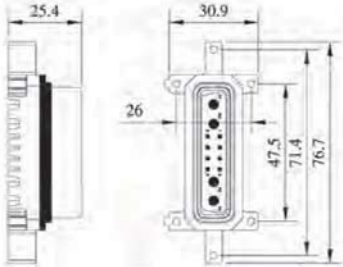

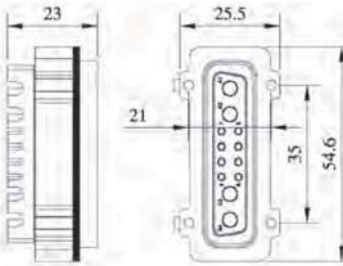

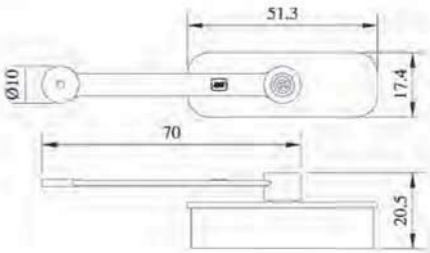
Specification			
Locking system	Twist Lock		
Shell protection	IP67		
Rated voltage	1000V		
Rated current	300A		
Contact resistance	$\leq 0.15m\Omega$		
Insulation resistance	$\geq 10M\Omega$		
Figure	Drawing	Contact	Part No.
		1	Red color UT-D262M1-01
			Black color UT-D262M1-02
		1	Red color UT-3622-01
			Black color UT-3622-02

Type H series

Specification			
Rated voltage	1000V		
Rated current	500A		
Insulation resistance	$\geq 10M\Omega$		
Figure	Drawing	Contact	Part No.
		1	Red color UT-3649-01
			Black color UT-3649-02


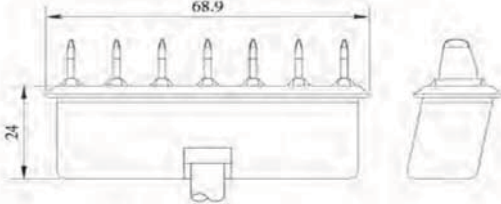

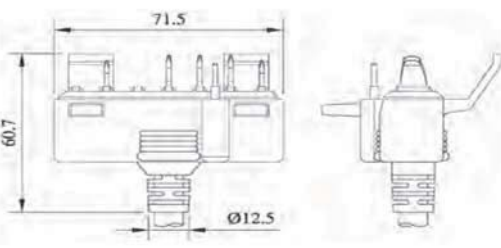

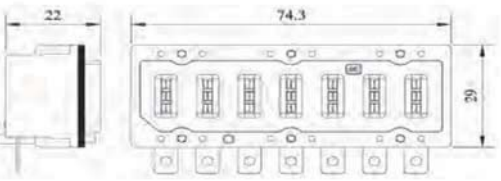
Waterproof Series Type D

Type D series

Specification			
Rated voltage	250V		
Rated current	Large pin 35A; Small pin 10A		
Contact resistance	Large pin <math>< 5m\Omega</math>; Small pin <math>< 30m\Omega</math>		
Figure	Drawing	Contact	Part No.
		2+8	UT-3588-10P
		4+8	UT-3588-12P
		2+8	UT-3589-10P
		4+8	UT-3589-12P
			UT-272C-8


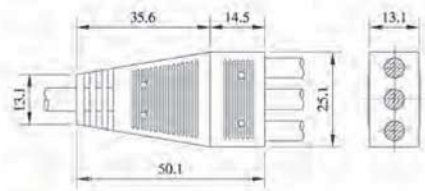

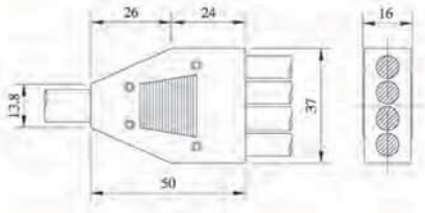

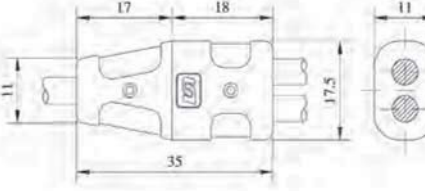

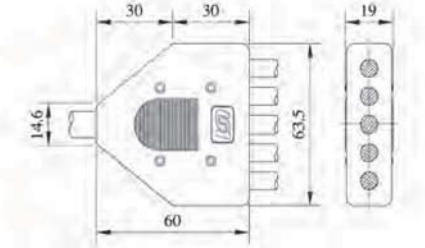
Waterproof Series Type E

Type E series

Specification			
Rated voltage	250V		
Rated current	30A		
Contact resistance	<30mΩ		
Figure	Drawing	Contact	Part No.
		5 7	UT-3771-01 UT-3771
		5+1	UT-3773
		7 7+1	UT-3772-01 UT-3772

Waterproof Series Junction Cable

Junction Cable

Figure	Drawing	Contact	Part No.	Rated
		1 to 2 1 to 3	SR-56-2 SR-56-3	IP 68 (1M/24Hrs)
		1 to 2 1 to 3 1 to 4 1 to 5	SR-178-2 SR-178-3 SR-178-4 SR-178-5	IP 68 (1M/24Hrs)
		1 to 2	SR-210	IP 68 (1M/24Hrs)
		1 to 5 1 to 6	SR-222-5 SR-222-6	IP 68 (1M/24Hrs)